

SYSTEM/MODEL: NEM

MODIFICATION: Excluding certain sub stations from All Call and BGM

DIFFICULTY LEVEL: 3 - Moderate - Removal or replacement of internal components.

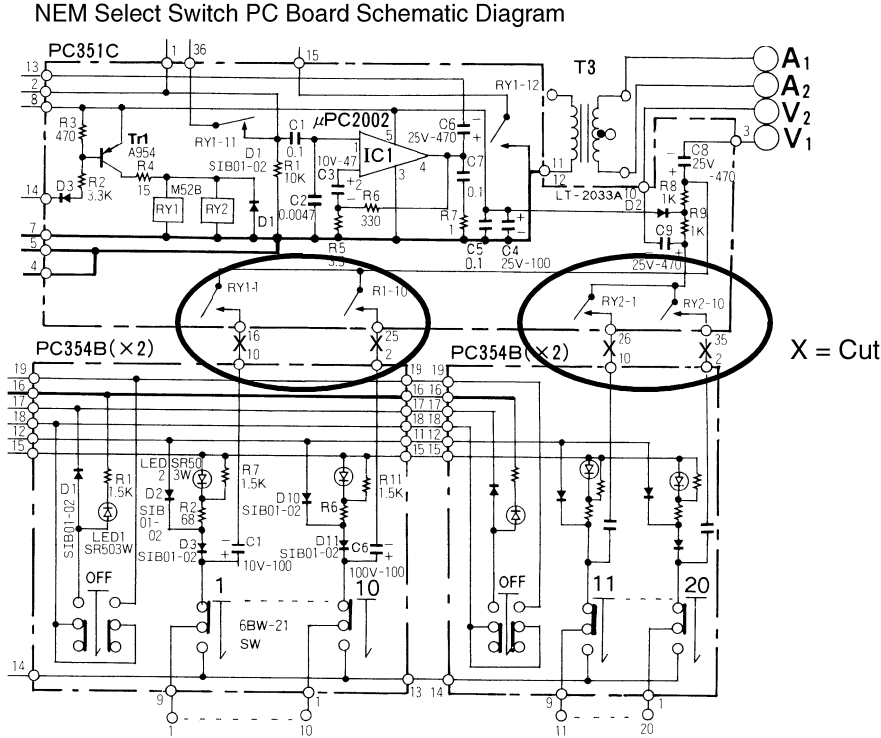
COMPONENTS REQUIRED: N/A

- INSTR/OPERATIONS:**
1. Cut designated wire(s) between PC-354 and PC-351 as shown on the following drawing.
 2. Cut only the wire(s) for the appropriate sub station(s) for which you want to eliminate All Call and music.
 3. All remaining sub stations will continue to receive All Call announcements and music.

REFERENCE DRAWING #:

Aiphone's product warranty applies to products properly modified using these instructions.
However, if a unit is damaged as a result of improper modification, the warranty does not apply.

EXCLUDING CERTAIN SUB STATIONS FROM ALL CALL AND BACKGROUND MUSIC



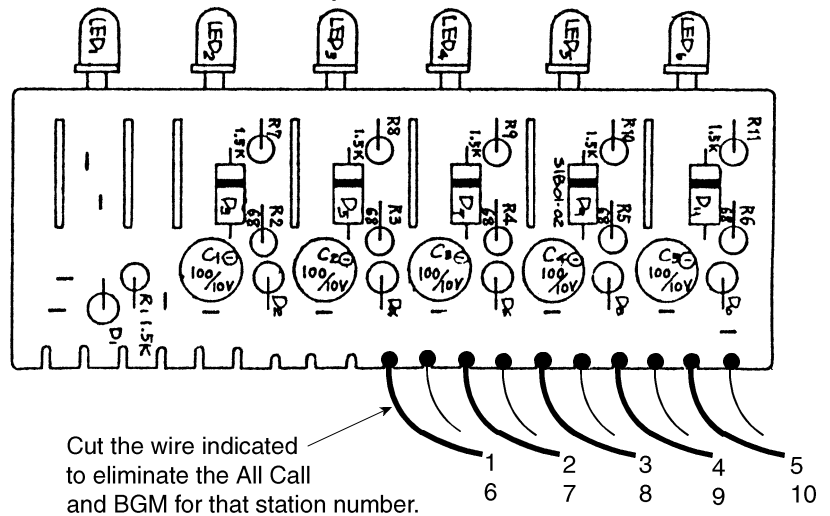
Cut wire from PC-354 (select switch PCB) that connects the capacitor from each station's select switch to the relay board.
**Cut only the wire for the station(s) that are not to receive All Call and background music.*

Looking at the component side of PC-354, cut the first wire of each matching pair of wires for the station in which you wish to eliminate All Call and background music (see illustration).

Component side view

- WIRE COLORS: Each row of 5 stations
 1st and 3rd row from top of select switch panel:
 (Top view from outside of NEM master.)
- Stn. 1: BRN
 - Stn. 2: RED
 - Stn. 3: ORG
 - Stn. 4: YEL
 - Stn. 5: GRN

- 2nd and 4th row from top of select switch panel:
 (Top view from outside of NEM master.)
- Stn. 6: BLU
 - Stn. 7: VIO
 - Stn. 8: GRY
 - Stn. 9: WHT
 - Stn. 10: BLK



(Note: Station #1 or #6 is the first station to the left of the OFF button.)