

SYSTEM/MODEL: TC-M

MODIFICATION: External signaling device connected to a TC-M Master

DIFFICULTY LEVEL: 2 - Easy/moderate - Component connection to external points.

COMPONENTS REQUIRED: 1. Appropriate call extension device. (See diagram)
A. IER-2 Chime Extension Speaker
B. TAR-3 Relay (w/SKK-620)

INSTR/OPERATIONS: 1. Device selected determines hook-up requirements. See diagram for complete information.

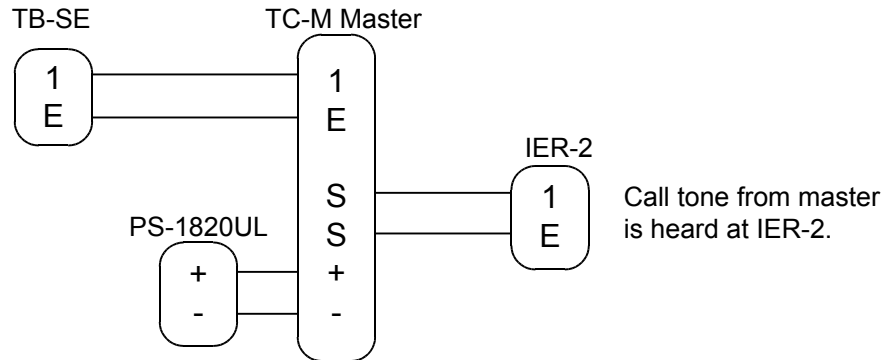
REFERENCE DRAWING #: 1198-950

Aiphone's product warranty applies to products properly modified using these instructions. However, if a unit is damaged as a result of improper modification, the warranty does not apply.

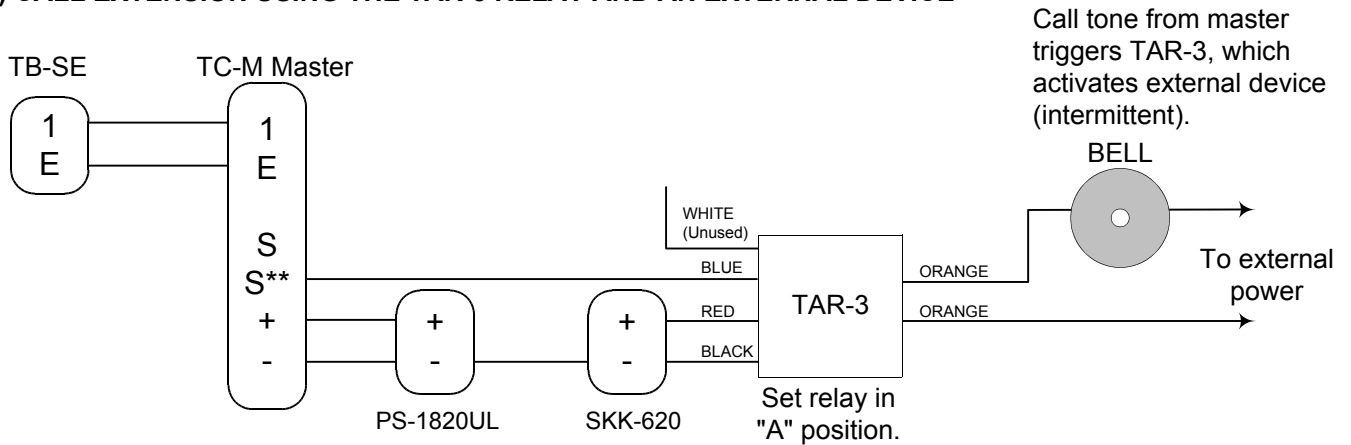
MODIFICATION DIAGRAM

CALL EXTENSION ON THE TC-M SYSTEM

A) SINGLE IER-2 CALL EXTENSION SPEAKER



C) CALL EXTENSION USING THE TAR-3 RELAY AND AN EXTERNAL DEVICE



** Connect the BLUE wire to the "S" terminal at the BOTTOM of the terminal strip. Verify correct terminal with a continuity meter, using the S terminal that is not connected internally to the "E" terminal.