

SYSTEM/MODEL: TD-H/B

MODIFICATION: LED call indicator in place of call tone

DIFFICULTY LEVEL: 4 - Moderate/hard - Internal connection or component addition.

COMPONENTS REQUIRED: 1. Resistor: 1K - 1.5K, 1/4 Watt

2. LED: General purpose.

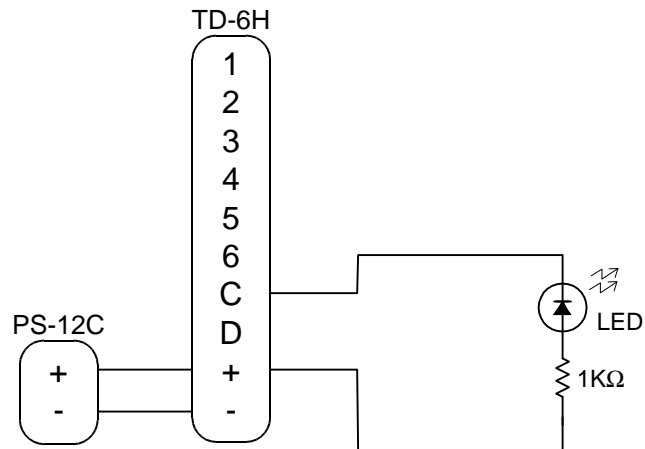
INSTR/OPERATIONS: Install components as shown on the following diagram.

REFERENCE DRAWING #: 1298-1065

Aiphone's product warranty applies to products properly modified using these instructions.
However, if a unit is damaged as a result of improper modification, the warranty does not apply.

MODIFICATION DIAGRAM

CALL INDICATION LED FOR TD-H MASTERS



NOTES:

1. To eliminate the call tone, remove diode D3 from the main PC board.
2. Install the general purpose LED and 1KΩ resistor as shown above. As there is no designated location for placement of the LED, either modify the chassis of the master station or mount the LED externally.

ELIMINATION OF THE CALL TONE AND INSTALLATION OF AN EXTERNAL DEVICE (LIGHT, BELL, ETC.)

NOTES:

1. Remove diode D3 from the main PC board.
2. Install RY-AC relay as shown.
3. Install external signaling device off of output of the RY-AC relay.

