

# NBX-2

## Surface Mount Box for the NA-NE Sub Station

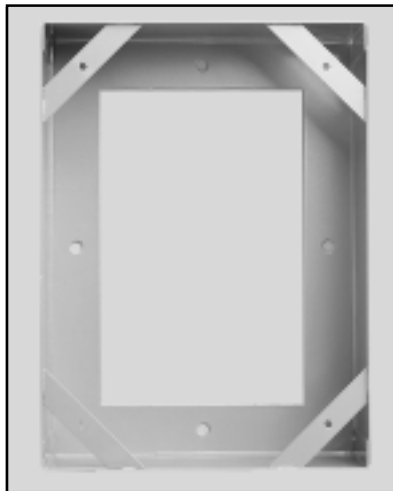
**DESCRIPTION:**

The NBX-2 is a surface mount box for the NA-NE sub station, used with the NEM or NDR systems. The box is constructed of 20 gauge cold rolled steel, folded and welded. Designed for indoor use only. Openings are provided in the back for mounting and wiring. Required mounting hardware is included with the NA-NE.

**MOUNTING:**

1. Attach NBX-2 to wall surface.
2. Bring wires for NA-NE through the opening in the back.
3. Connect wires to sub station.
4. Attach the sub station to the box, using the four supplied screws.

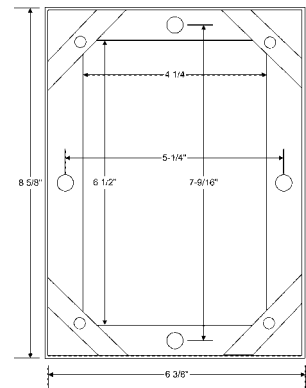
**NBX-2  
(Left)**



**NA-NE  
Mounted in  
NBX-2  
(Right)**



**Front View**



**SPECIFICATIONS:**

Material: 20 gauge steel  
 Construction: Folded and welded  
 Finish: Gray, powder coated  
 Dimensions: 8-5/8"H x 6-3/8"W x 2-1/2"D  
 4 mtg. holes: 7-9/16" Vert. x 5-1/4" Horiz.  
 Weight: 1.1 lbs.  
 Mounting Equipment: Included with NA-NE

**ARCHITECTS & ENGINEERS SPECIFICATIONS:**

Surface mount enclosure shall be Aiphone model NBX-2, designed to surface mount NA-NE sub station. Unit shall be constructed of 20 gauge steel, folded and welded, and shall have a gray powder coated finish. Mounting hardware shall be included with the sub station.