

**NEM System for ADA Rescue Assistance Applications
VANDAL PROOF CALL STATION****NE-NVP-RA****FEATURES/FUNCTIONS:**

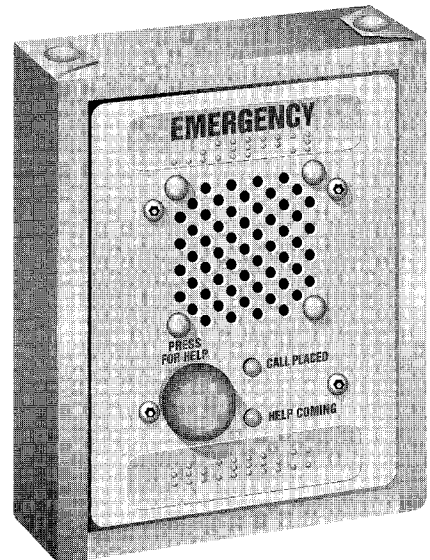
- * Designed for Rescue Assistance applications to meet ADA requirements.
- * **SPECIAL FEATURES INCLUDE:**
 - Red mushroom call button to "press for help"
 - Green LED light and audible call tone for "call placed" indication.
 - Red LED light to acknowledge "help is coming".
 - Braille signage for visually impaired persons.
 - Reset button or key switch to be installed at each sub station to reset call.
 - Optional overhead lamps at each sub station to indicate call status.
- * 11 gauge carbon steel faceplate with mar-resistant, white powder-coated finish over heavy zinc plating.
- * Metal barrier plates protect speaker from tampering.
- * Surface mount box (SBX-NVP) is constructed from a 5/8" single piece of steel with pressure-welded folds.
- * No sharp edges or exposed standard hardware.
- * Flush mounts into a standard 3-gang masonry box.

SOME APPLICATIONS:

- Office Buildings
- Public Facilities
- Government Buildings
- Airports
- Military Facilities

Note: Install in an area not directly exposed to rainfall.

NE-NVP-RA
(Shown mounted
inside SBX-NVP)

**SPECIFICATIONS:****SPEAKER:**

Size: 3" dynamic impregnated-cone speaker
Weather resistant / puncture resistant

Magnet weight: 2.5 oz.

Magnet material: Ceramic

Impedance: 20Ω

Dimensions: (H x W x D)
(NE-NVP-RA only) 7-1/2" x 5-1/2" x 2"

Call button: SPST, normally open

SURFACE MOUNT BOX: SBX-NVP

Box dimension: 8-5/8"H x 6-5/8"W x 2-1/4"D

Weight: 2-1/2 lbs. (both pieces)

BACK BOX: RACO 692 or 697, or
(for flush STEEL CITY GW-335-C
mounting) 3-gang masonry type or
equal.

WIRING REQUIREMENTS: 4-conductor homerun from master to sub station, or
Multi-conductor with 3 common wires plus 1 individual wire per sub, looped.
Use Aiphone #822xx series cable (i.e. #822206, 6 cond. or 822210, 10 cond.)

Aiphone Corporation
1700 130th Ave. N.E.
Bellevue, WA 98005
(206) 455-0510
FAX: (206) 455-0071

Communication systems for business, home and industry.

**TOLL FREE TECHNICAL DEPARTMENT
FAX LINE: (800) 832-3765**

SYSTEM COMPONENTS AND DESCRIPTIONS:

MASTER STATIONS:

NEM-10	10-station master
NEM-10A	10-station master with handset
NEM-20	20-station master
NEM-20A	20-station master with handset
NEM-30	30-station master
NEM-30A	30-station master with handset
NEM-40	40-station master
NEM-40A	40-station master with handset

* **When no reset switch is installed at sub, use:**

* NEM-n/RS Master mod. with Reset Switch

ADD-ON SELECTORS:

N-20AS	20-station add-on selector
N-40AS	40-station add-on selector

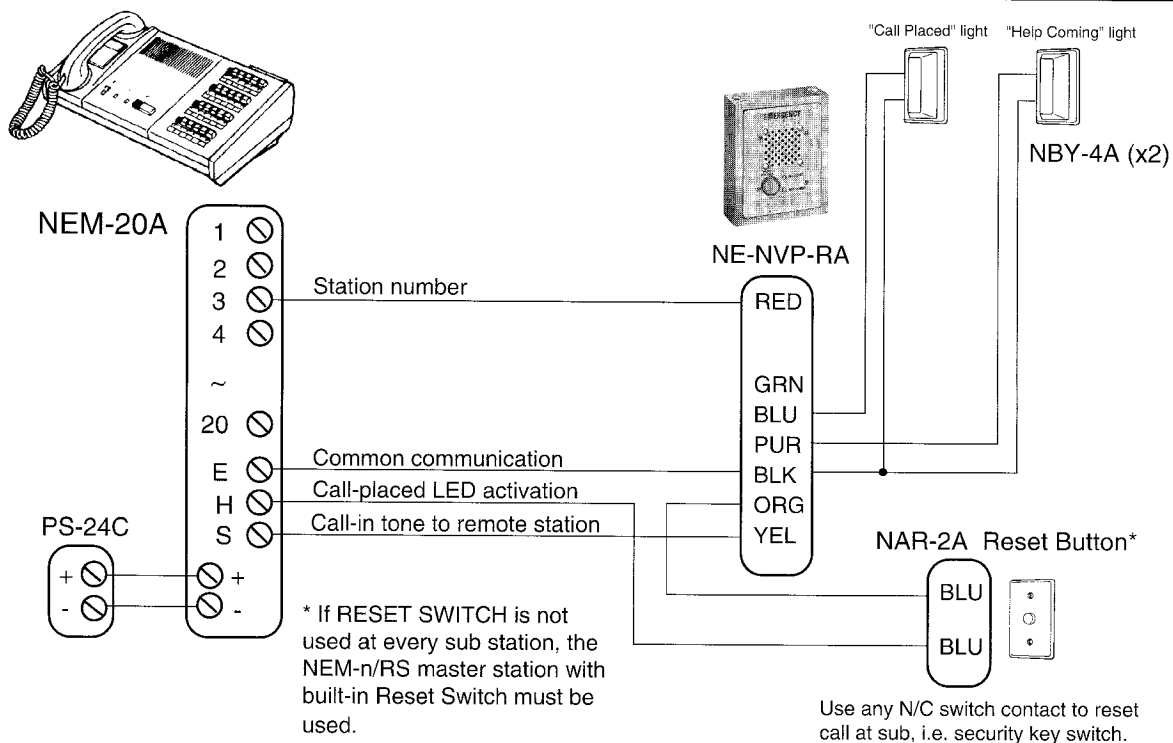
SUB STATION:

NE-NVP-RA	Vandal proof call station with mushroom button, call-placed and call-received indicator LEDs and emergency Braille signage
-----------	--

ACCESSORIES:

NBY-4A	Overhead call status lamp
NAR-2A	Reset button
NB-U	Background Music adaptor
PG-10A	10W Amplifier for NB-U
SBX-NVP	Surface mount box for NE-NVP-RA
PS-24C	1A power supply (1-20 stations)
PS-24N	2A power supply (21-40 stations)

WIRING DIAGRAM:



PRECAUTIONS AND WIRING TIPS:

1. Run intercom wires at least 20" away from any AC power lines, fluorescent lights, or dimmer switches. Avoid electrical devices that may emit signals or noise.
2. Shielded wire is recommended to help reduce possible interference from outside sources. Ground the shield at one end to an earth ground.
3. Avoid junction points. Terminate wires at the intercom stations.

For more information on these and other Special Order Products, please call the Technical Support department.