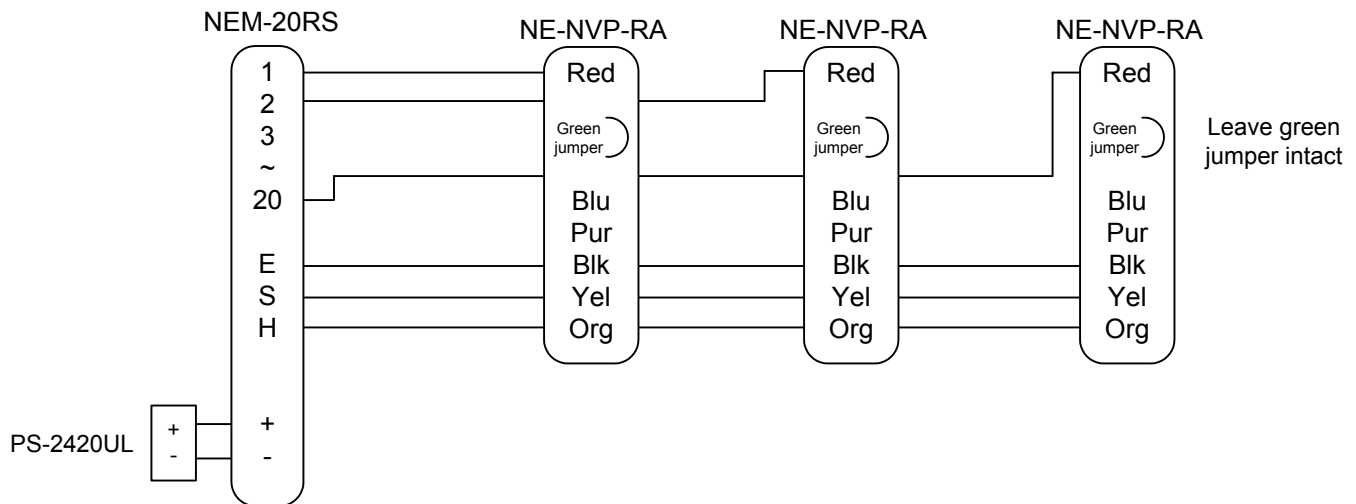


NEM-RS
NEM Lamp Memory Rescue Assistance System (ADA)
NEM-nRS Master Station
NE-NVP-RA Vandal Proof Sub Stations

- INSTRUCTIONS -

The NEM Lamp Memory System with the NE-NVP-RA sub stations provides communication and call status indication to meet ADA requirements for Areas of Rescue Assistance. The NE-NVP-RA features braille signage, a large red call button, and "call placed" and "help coming" LED indicators. Remote lamps can be added for better visibility of a station's status. The NEM-nRS master station is equipped with a reset button to reset each call at the master station. The sub station flush mounts into a 3-gang masonry-type box, or surface mounts in the SBX-NVP. Tamper proof screws are provided, along with a wrench for installation.

WIRING DIAGRAM:



Individual Components for NEM-RS System:

- NEM-nRS Master station (10, 20, 30, 40-station) with RESET SWITCH added
- NE-NVP-RA Vandal proof sub station with call status indicators and braille signage
- SBX-NVP Surface mount box for NE-NVP-RA
- PS-2420UL 24V DC, 2A Power Supply

NEM-RS TERMINAL DEFINITIONS:

- + Positive 24V DC
- Negative
- 1~40 Station number
- E Common communication
- S Sends "call placed" tone to sub
- H Resets call signals at sub when RESET button is pressed.

OPERATION:

1. When a sub station places a call, the "call placed" red LED on the sub station lights, and the "call activation" LEDs (and overhead lamp if installed) turn on.
2. When the call is answered, the "call placed" LED on the sub goes off, and the "help coming" green LED turns on. The "help coming" overhead lamp stays on, and the "call activation" lamp goes off.
3. When the master station's reset button is pressed, all of the call indicator lights at the sub station location will go off.

BRAILLE SIGNAGE:

The NE-NVP-RA is equipped with braille signage for the visually impaired.

ON TOP OF UNIT:

"EMERGENCY -- CALL FOR HELP"

ON BOTTOM OF UNIT:

"PUSH BUTTON. TONE INDICATES CALL PLACED."

Plating material is .012" aluminum with 5 letter spacing.

SPECIFICATIONS:

Power Source:	24V DC at master. Use PS-2420UL
Communication Output:	500mW at 20 ohms
Communication:	Push-to-talk, release-to-listen or VOX handset at master. Hands free at sub station.
Calling:	Master to sub: By voice only after pretone. Sub to master: Call tone and LED, remaining activated until call is answered.
Wiring:	3 common plus 1 individual per sub, looped; or 4 conductors homerun to each sub. Shielded cable is recommended. Use Aiphone #822206 for up to 3 subs on each run, or #822210 for up to 7 stations on each run.
Wiring Distance:	420' with 22AWG; 1,000' with 18AWG.
Sub station mounting:	Flush mount NE-NVP-RA in 3-gang masonry box, mounted vertically. (Raco 692 or 697 or equivalent.) Surface mount in Aiphone SBX-NVP box. Install in an area not exposed to direct rain or moisture.