

TALKBACK PAGING ADAPTOR

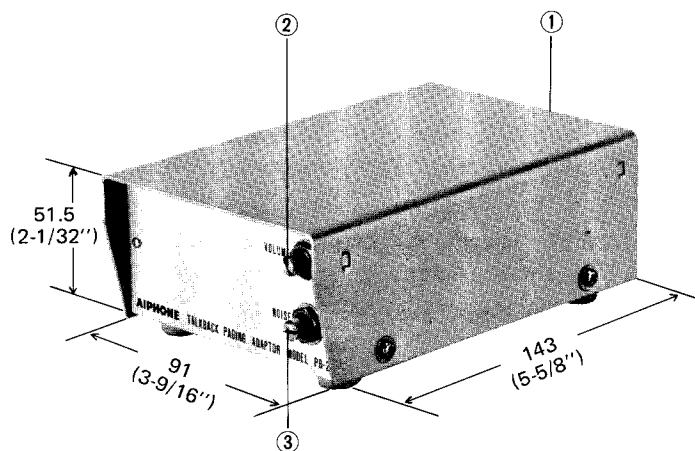
MODEL PB-2

Designed for use with only AIPHONE TB-F and TB-H systems in conjunction with AIPHONE PB-1 paging adaptor.

- A) with TB-F system: * Provides single zone talkback paging.
 B) with TB-H system: * May be installed in multiple for separate talkback paging zones. One potential phone must be deducted for each talkback paging block installed.

— INSTRUCTIONS —

NAMES AND FUNCTIONS



- ① Connections
 ② Volume control for talkback
 ③ Noise control for talkback

Noise control on PB-2 is for tuning out or reducing interference on talkback only created by line induction.

PB-2 SPECIFICATIONS

- * Power source: 12V DC. Use PS-12A (or PS-12C) power supply which must be connected directly to PB-2 and then may be extended to phone network.
- * Current consumption: 60 mA maximum.
- * Talkback gain: 38 db. 1K Hz at maximum volume.
- * Environmental noise: Less than 80 db (phon) at 1 meter (3').

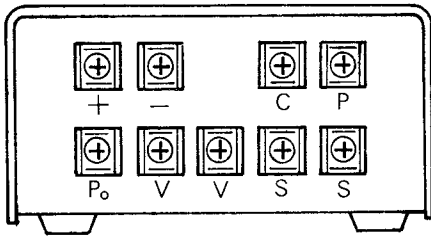
AMPLIFIER REQUIREMENTS

- * Input: AUX or PHONO; 100K – 500K ohm, 0.12 – 0.5 volt.
- * Output: Less than 50 watt RMS with either 70 or 100 volt line.

INSTALLATION

Do not attempt to install your PB-2 adaptor until you have read and thoroughly understood the installation procedure. Requirements listed above **MUST BE MET**. Aiphone's warranty for the adaptor and the system is void if adaptor is installed in a manner other than described in this manual.

AUTUAL PB-2 TERMINAL LOCATIONS



- (+) , (-) : Connect to PS-12A (or PS-12C) power supply.
- (C) : : Not required for TB-F or TB-H system.
- (P) : Connect to P terminal in TB-F system or a number terminal in TB-H system.
- (P₀) : Connect to P terminal on PB-1 paging adaptor.
- (V) , (V) : Connect to the amplifier output.
- (S) , (S) : Connect to paging speakers.

WIRING REQUIRED

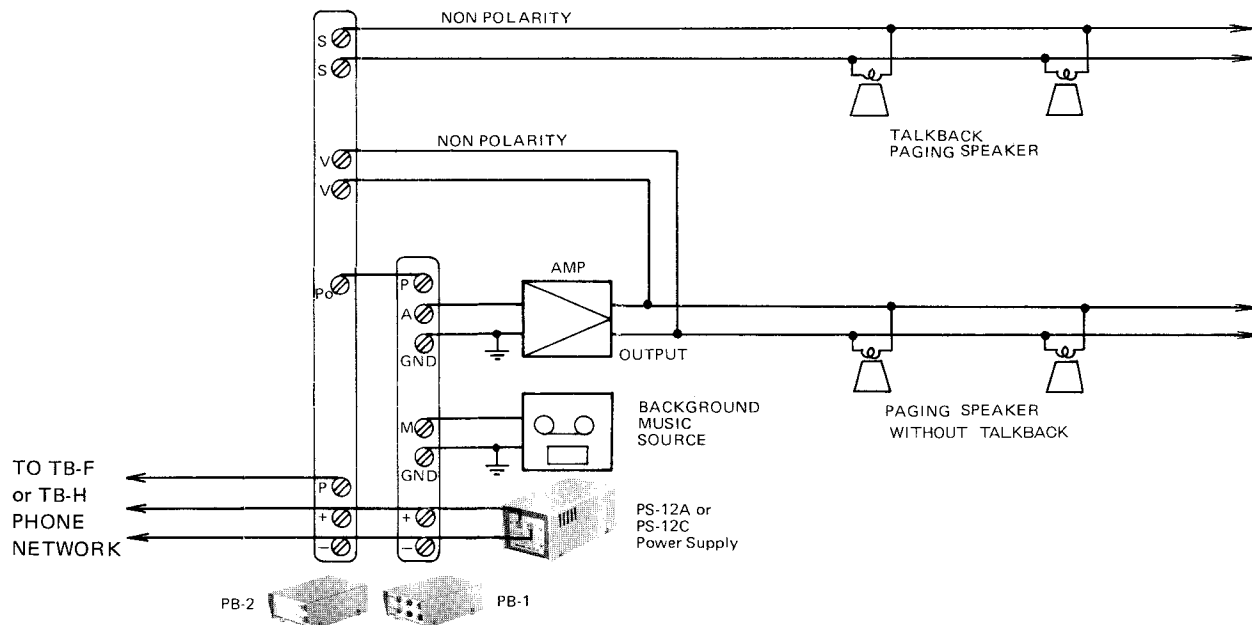
- 1) From phone network to PB-2;
 - * a) with TB-F system; 3 conductors.
 - * b) with TB-H system; 2 common plus one per PB-2.
- 2) From PB-2 to PB-1; 3 conductors.
- 3) From BGM source to PB-1; 2 conductors (shielded cable must be used).
- 4) From PB-1 to paging amplifier; 2 conductors (shielded cable must be used).
- 5) From paging amplifier to PB-2; 2 conductors (non polarity).
- 6) From PB-2 to speakers; 2 conductors (non polarity).

A NOTE OF GENERAL INTEREST

Due to line induction, TALKBACK paging noise control and volume adjustments become more difficult as the line distance increases. Short wiring distances between the amplifier/PB-2 and the paging speakers provide the best talkback paging and the best control. To assure the best possible talkback paging system, we recommend a talkback speaker line consisting of shielded 2-conductor cable.

VARIATIONS TO STANDARD INSTALLATIONS

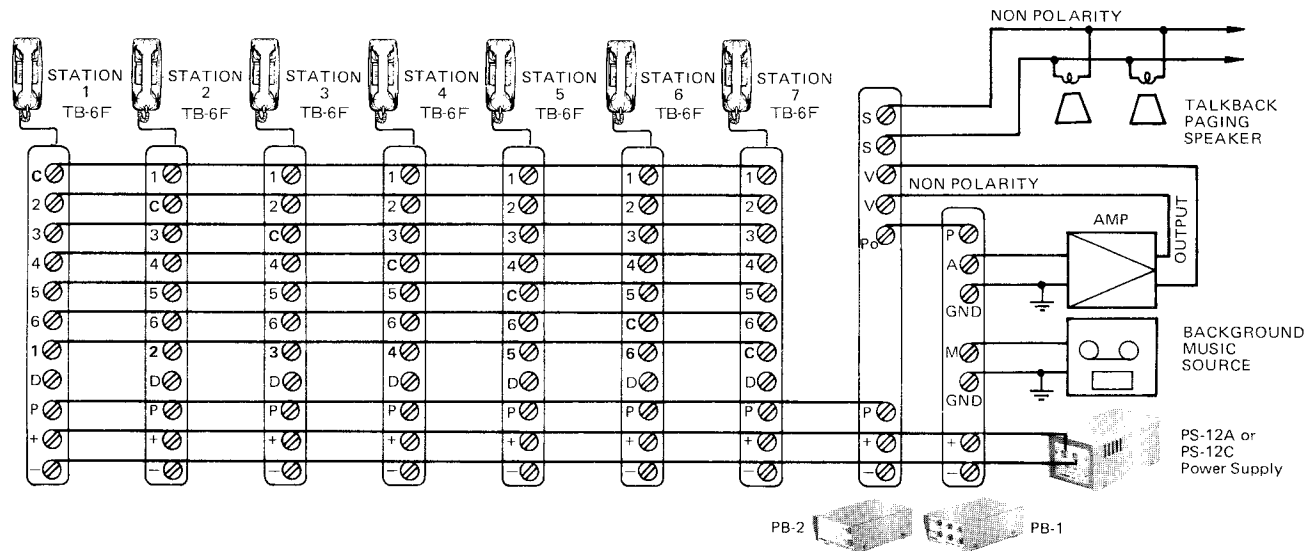
A situation often exists where all page is required to a large area with talkback available from a small number of speakers in that area. This illustration indicates such an installation using one PB-1, one PB-2 and one paging amplifier. There is no limit to the size of the amplifier you may use. However, the power consumed for the talkback speaker section must not exceed 50 watt.



TH-F PHONE SYSTEM with TALKBACK PAGING

You may add talkback paging capability to your TB-F system without deducting any potential phone. But talkback paging must be made with no phone-to-phone communication present since distortion will occur.

* One PB-1, one PB-2, one paging amplifier with 70 or 100 volt line and output of less than 50 watt RMS, and appropriate paging speakers must be used in addition to TB-F system powered by PS-12A (or PS-12C).

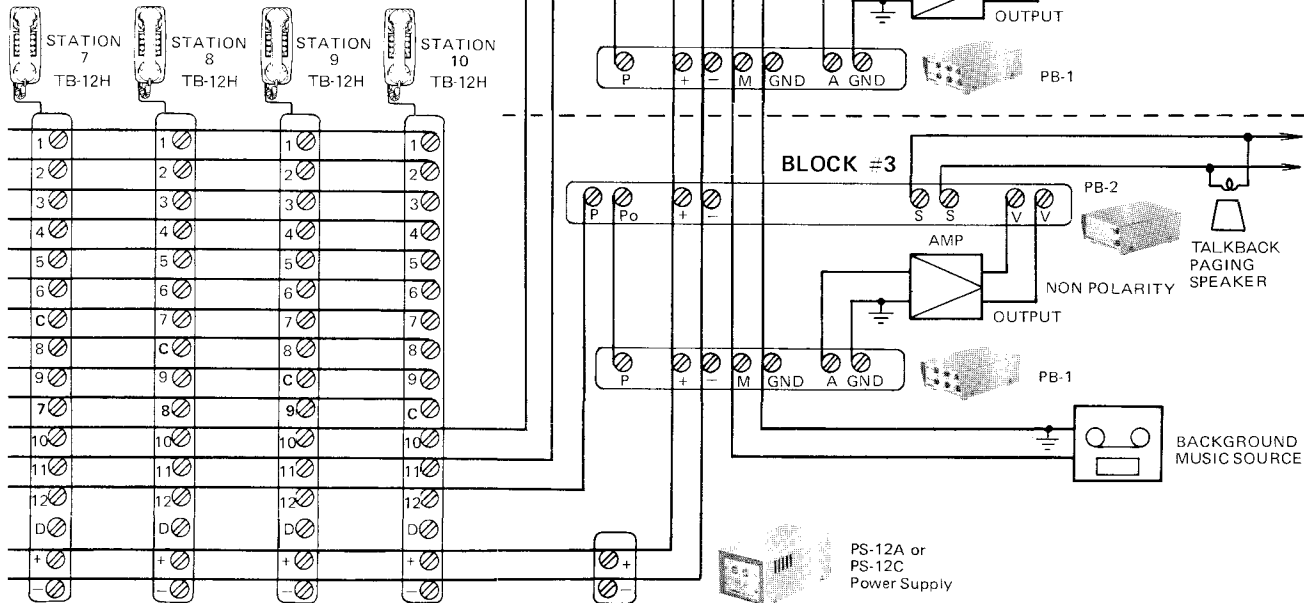


TB-H PHONE SYSTEM with THREE TALKBACK PAGING BLOCKS

TB-H is a multi-channel system allowing not only multiple separate communications between phones but also multiple separate talkback paging operations at the same time.

- 1) You may install paging blocks as capability of your TB-H system allows.
- 2) One potential phone must be deducted from phone network for each talkback paging block installed.
- 3) One PB-1, one PB-2, one paging amplifier with 70 or 100 volt line and output of less than 50 watt RMS, and appropriate paging speakers must be used for each talkback paging block.

In this example selector button # 10 on each phone operates block # 1, selector button # 11 operates block # 2 and selector button # 12 operates block # 3.



ADJUSTING CONTROLS

Volume control on PB-2 is for talkback only. Noise control on PB-2 is for tuning out or reducing interference on talkback only created by line induction and may be adjusted in the following procedures.

TO FINE TUNE

- 1) If a station in your phone network is located within reach of the PB-2 controls, simply follow paging operating instructions and adjust volume and noise control to desired level.
- 2) If PB-2 is located in a position remote from your phone network, fine tuning may be expedited by using the following method.
Using TB-1F as a piece of test equipment.
 - a. Connect (+) positive terminal on TB-1F to (+) positive terminal on PB-2 and (-) negative terminal on TB-1F to (-) negative terminal on PB-2.
 - b. Connect P terminal on TB-1F to P terminal on PB-2.
 - c. Following paging operating instructions, adjust volume and noise control to desired level.

NOTE: When adjusting talkback level we recommend having a radio playing or an assistant available in the talkback paging zone to facilitate proper volume adjustments.

TB-F TALKBACK PAGING OPERATION

- * Pick up the handset, press the paging button to page and release to listen. Background music will automatically cut out during talkback paging operation.

TB-H TALKBACK PAGING OPERATION

- * Pick up the handset and depress the selector button. Press the paging button to page and release to listen. Background music will automatically cut out during talkback paging operation.

* * *

We at AIPHONE are proud of our products. Our designers and engineers strive to bring you the finest in communication equipment. Each item has been carefully tested and inspected before leaving our factory. Properly installed and used, your Aiphone intercom system should give years of trouble-free service.

We are pleased to offer the following warranty:

WARRANTY

Aiphone warrants its products to be free from defects of material and workmanship under normal use and service for a period of one year after delivery to the ultimate user and will repair free of charge or replace at no charge, should it become defective upon which examination shall disclose to be defective and under warranty. Aiphone reserves unto itself the sole right to make the final decision whether there is a defect in materials and/or workmanship; and whether or not the product is within the warranty.

This warranty shall not apply to any Aiphone product which has been subject to misuse, neglect, accident, or to use in violation of instructions furnished, nor extended to units which have been repaired or altered outside of the factory.

This warranty does not cover batteries or damage caused by batteries used in connection with the product.

This warranty covers bench repairs only, and any repairs must be made at the shop or place designated in writing by Aiphone. Aiphone will not be responsible for any costs incurred involving on site service calls.