

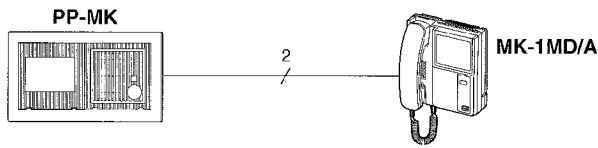
MK Series AUDIO/CAMERA MODULE

Model: **PP-MK**

INSTALLATION & OPERATION MANUAL

1 SYSTEM OUTLINE & COMPONENTS

The PP-MK is a Audio/Camera Module for MK-1MD/A video system.
Semi-flush mounts on 4-gang mounting frame PPW-2P horizontal or vertically installed.

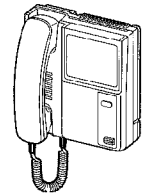
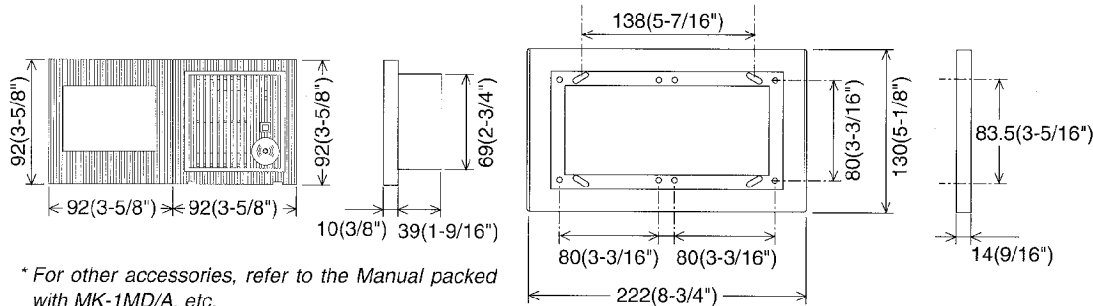


■ Package contents

- Audio/Camera Module (PP-MK)
- Packet of screws
- Joint plate
- Installation & Operation Manual

■ Station models available

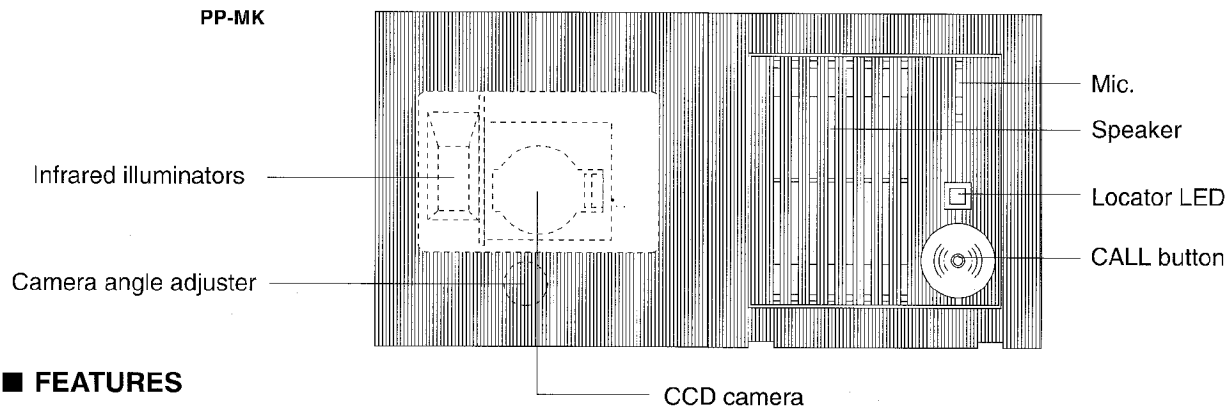
- Audio/Video Module **PP-MK**
- 2-section Frame **PPW-2P**
- Inside audio/monitor station **MK-1MD/A**



MK Series audio/monitor station, one or two (max.)

* For other accessories, refer to the Manual packed with MK-1MD/A, etc.

2 NAMES & FEATURES



■ FEATURES

- Modular design consisting of two audio & camera parts (Can not be used separately)
- 4-gang semi-flush mounting with PPW-2P frame or without (horizontal or vertical)
- Wide-angle vision. 70° vertically, 95° horizontally (approx.)
- Camera angle adjusting screw
- Joint plate supplied for mounting without PPW-2P frame used

3 INSTALLATION

Possibilities

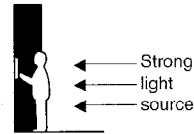
PP-MK Audio/Camera Module can be used with MK-1MD/A system in any configuration. Camera unit can not work without audio unit, nor audio unit alone with other system for audio communication purpose only.



Do not attempt to lengthen the junction cable between the camera & audio units.

Mounting

PP-MK uses CCD camera. Video picture can be affected by bright direct light, such as strong sunlight, gate light, or street or porch light which comes directly into the camera lens.



Cable requirements

- Use a parallel conductor cable. Coaxial cable should not be used.
- When existing chime wires are used, it is possible that the wires may contain AC voltage current. Locate and remove the bell transformer before actually connecting PP-MK.
- Extra pair(s) in the installed cable can affect image quality, and must be terminated with a 120Ω resistor at each end on both PP-MK and inside monitor.

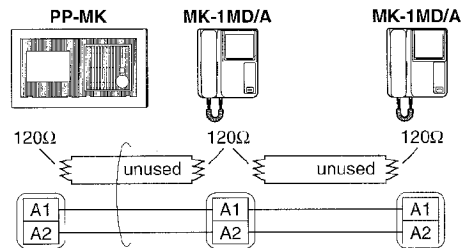
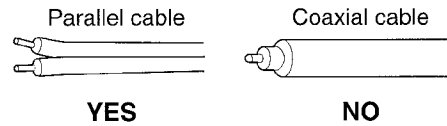
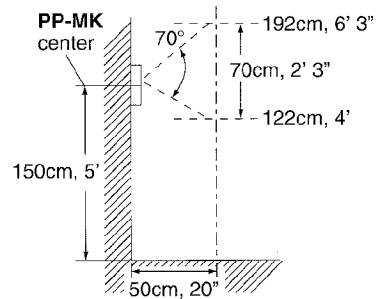
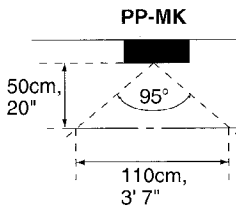


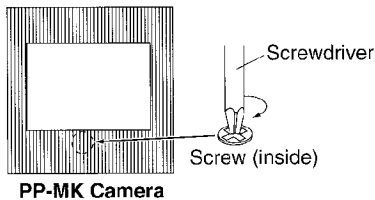
Image viewing area

PP-MK is equipped with a camera-angle adjuster on front. Turn clockwise 2-1/2 times and the camera angle turns upward by 16°.

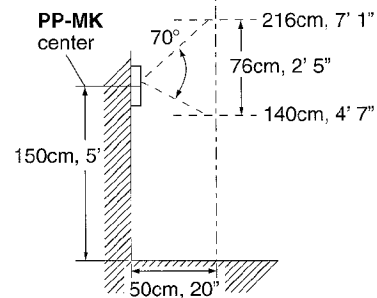
- When the camera is positioned horizontally;



- When the camera angle is adjusted upward;



Turn screw clockwise 2-1/2 times. Camera angle is turned upward by 16°.

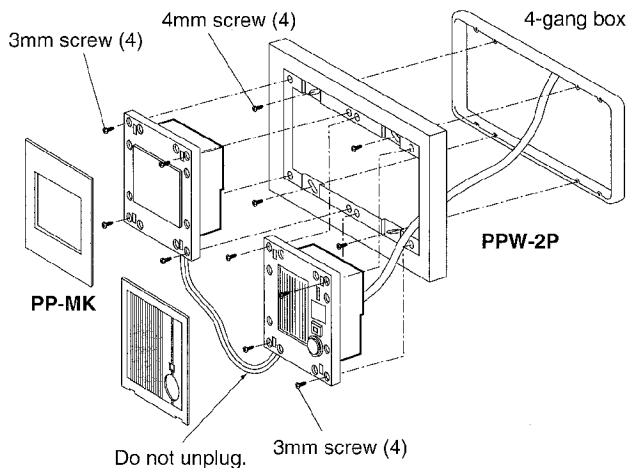


(All the figures are approximate.)

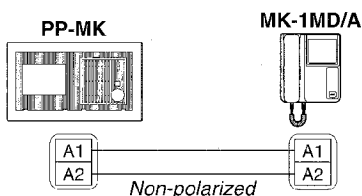
4 MOUNTING

Semi-flush mounting on 4-gang box

1. Open the front cover pulling upward with a screwdriver.
2. Attach PPW-2P mounting frame to 4-gang box with 4mm screws (supplied).
3. Terminate 2 non-polarized wires on PP-MK camera.
4. Mount two modules with 3mm screws (supplied).
5. Reattach the front cover to modules.

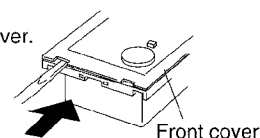


WIRING DIAGRAM

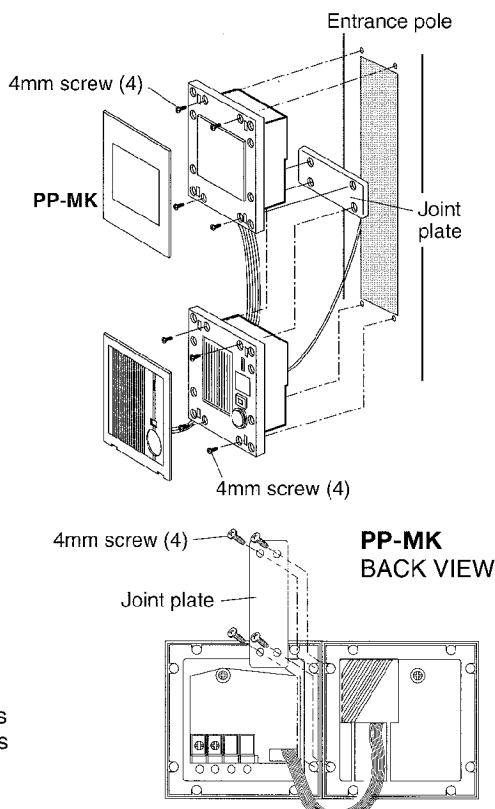


Do not run door release wires in the same jacketed cable as audio/video wires.

Pull upward with minus-head screw driver.



Mounting on entrance pole



5 OPERATIONS

Calling an inside monitor station

Press CALL button on PP-MK. The camera is activated. At inside audio/monitor station, 4-tone chime sounds and monitor turns on, staying on for approx. 45 seconds.

6 TECHNICAL PRECAUTIONS

- **Mounting location**
PP-MK is weather resistant, but for best results it should be protected from direct weather conditions.
- **Operating temperature**
PP-MK is rated to operate at temperatures between -10°C and 60°C (14°F and 140°F). When the outside temperature lowers rapidly, the camera lens may fog up slightly, causing blurry picture at the inside monitor. The openings will allow the moisture to dissipate, and the picture will return to normal.
- **Poor lighting conditions**
PP-MK's infrared illuminators will light the image of the caller when positioned within 50cm, 20" in front of the camera, and will see in near darkness (1 Lux of light).
- **Do not apply any caulking seals around PP-MK. The openings at bottom will allow rain to dissipate.**
- **Cleaning**
Clean PP-MK with a soft cloth dampened with neutral household cleanser. Do not use any abrasive cleaner or cloth. Do not spray high-pressure water on PP-MK.

7 SPECIFICATIONS

PP-MK

- Power source: Supplied by inside audio/monitor station.
- Camera unit: CCD camera with infrared LED's.
- Scanning line: 525 lines.
- Image viewing area: Approx. 70° vertically, 95° horizontally.
Approx. 70cm V, 110cm H at 50cm distance
(2'3" V, 3'7" H at 20" distance)
- Minimum illumination: 1 Lux at 50cm, 20" from camera
- Wiring: 2 wires parallel, non-twisted to inside monitor station
- Distance: *PP-MK to inside monitor*

0.65mm ϕ	1.0mm ϕ	22AWG	18AWG
50m	100m	165'	330'

- Dimensions: 92H x 184 W x 49 D (39 in recess) (mm).
3-5/8" H x 7-1/4" W x 1-15/16" D (1-9/16" in recess).
- Weight: 300g (0.66 lbs.) approx.

PPW-2P

- Front panel: Aluminum
- Dimensions: 130 H x 222 W x 14 D (mm).
5-1/8" H x 8-3/4" W x 9/16" D.
- Weight: 260g (0.58 lbs.) approx.

This equipment has been tested and found to comply with the limits for a Class B digital device, pursuant to Part 15 of the FCC Rules. These limits are designed to provide reasonable protection against harmful interference in a residential installation. This equipment generates, uses, and can radiate radio frequency energy and, if not installed and used in accordance with the instructions, may cause harmful interference to radio communications. However, there is no guarantee that interference will not occur in a particular installation. If this equipment does cause harmful interference to radio or television reception, which can be determined by turning the equipment off and on, the user is encouraged to try to correct the interference by one or more of the following measures:

- Reorient or relocate the receiving antenna.
- Connect the equipment into an outlet on a circuit different from that to which the receiver is connected.
- Increase the separation between the equipment and receiver.
- Consult the dealer or an experienced radio/TV technician for help.

WARRANTY

Aiphone warrants its products to be free from defects of material and workmanship under normal use and service for a period of two years after delivery to the ultimate user and will repair free of charge or replace at no charge, should it become defective upon which examination shall disclose to be defective and under warranty. Aiphone reserves unto itself the sole right to make the final decision whether there is a defect in materials and/or workmanship; and whether or not the product is within the warranty.

This warranty shall not apply to any Aiphone product which has been subject to misuse, neglect, accident, or to use in violation of instructions furnished, nor extended to units which have been repaired or altered outside of the factory. This warranty does not cover batteries or damage caused by batteries used in connection with the product.

This warranty covers bench repairs only, and any repairs must be made at the shop or place designated in writing by Aiphone.

Aiphone will not be responsible for any costs incurred involving on site service calls.

AIPHONE CO., LTD., NAGOYA, JAPAN
AIPHONE CORPORATION, BELLEVUE, WA, USA
AIPHONE EUROPE N.V., ANTWERP, BELGIUM

COMMUNICATION SYSTEMS
AIPHONE
HOME, BUSINESS, INDUSTRY
Printed in Japan (E)