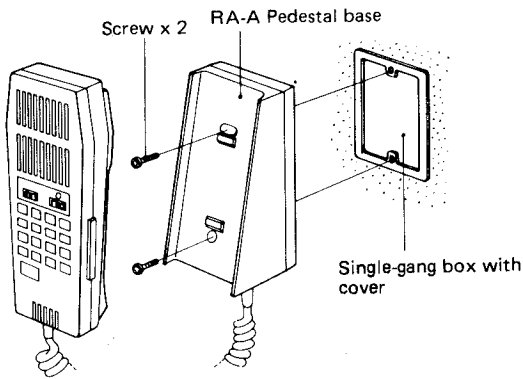


(D) RA-A Wall Mounting Installation

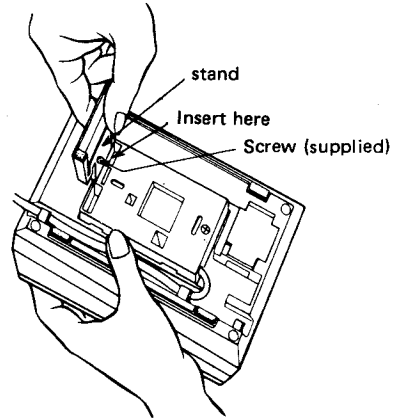
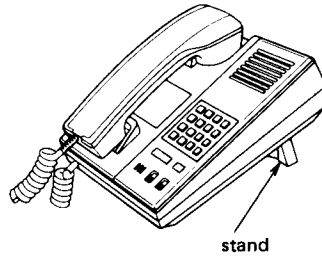


1. Unscrew the RA-A pedestal base and separate the cover from the chassis.
2. Reversely replace the cover to the chassis and mount the RA-A pedestal base to single-gang box with cover or to wall with the provided screws.

(E) RA-D Mounting Instructions

* For desk top use

As shown, just insert the stand and fix with a screw provided.

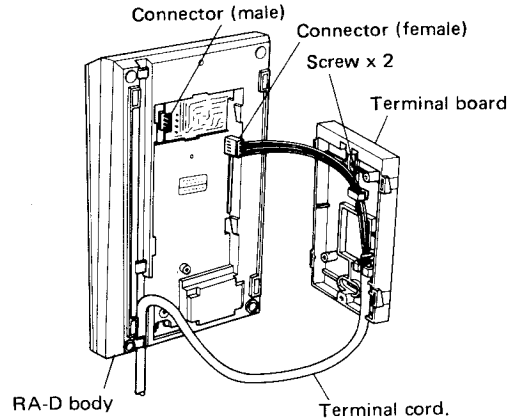


* For wall mounting

RA-D is primarily designed for desk top use, but may practically be used for wall mount (surface mount).

Remove a screw fixing terminal board. Slide down terminal board, pull off 4P connector and separate terminal cord from the chassis.

Attach terminal board to the wall with two screws. As shown, pull out terminal cord either from top or bottom of the unit. Attach connector and fit the unit onto the terminal board.

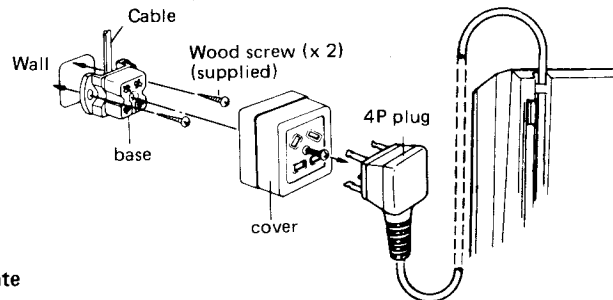


Receptacle installation

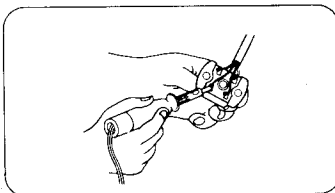
RA-A and RA-D have terminal cord of 2 m long (6-1/2'), male plug and shipped complete with female receptacle. When desk mounting where cable must be run surface on the wall, fix the female receptacle to proper location and just plug in the male plug.

1. Mount the receptacle to wall as shown below.
2. When mounting the receptacle to flush plate, drill three holes on the flush plate and attach the receptacle with the screws provided.

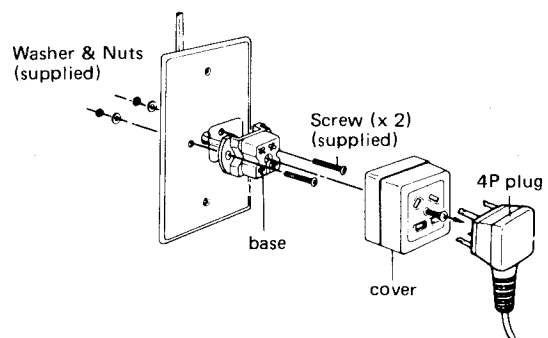
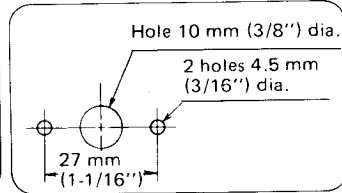
* Be careful not to install receptacle base upside down.



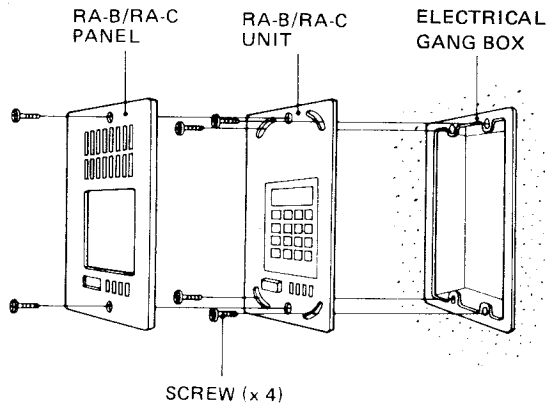
■ Connecting wires on receptacle base



■ Drilling holes on flush plate



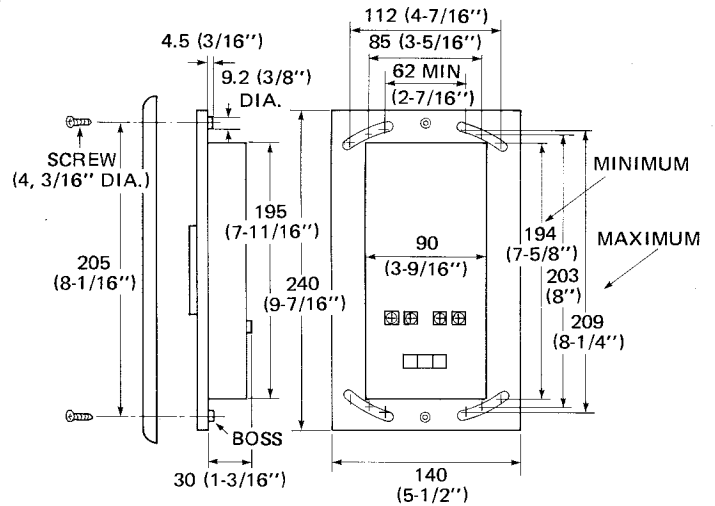
(F) RA-B and RA-C Flush Mount Installation



1. Separate the RA-B/RA-C panel from the RA-B/RA-C unit.
2. Attach the RA-B/RA-C unit to electrical box with the supplied screws.
3. Replace the RA-B/RA-C panel to the unit with the 2 screws.

In N. America, please specify either BOWERS 703-SPL, RACO 952, APPLETON 3G-5075 or equivalent.

RA-B/RA-C FLUSH-MOUNTING GUIDE



RA-B/RA-C SIDE & BACK VIEW

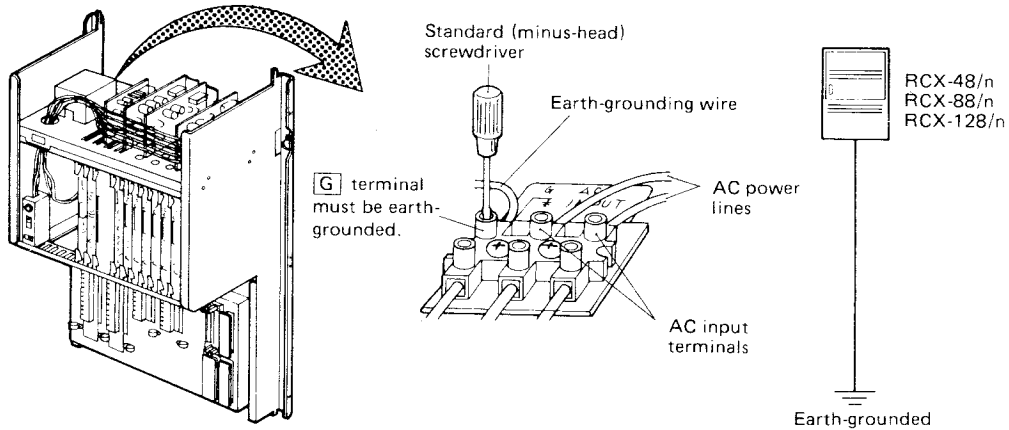
When RA-B/RA-C are flush-mounted to wall, be sure that two holes be opened for the bosses of 9.2 (3/8") diameter and protruding 4.5 mm (3/16").

Notes on installing station units;

- (1) Avoid locating the station unit in places closely surrounded by walls or other things, which may interfere with voice-switching.
- (2) Keep the station unit away from the paging speakers to avoid acoustic feedback in paging mode.

(G) Connecting AC Power Line and Grounding Wire

As shown below, using standard screwdriver, connect AC power line to **AC INPUT** terminals, and earth-grounding wire to **G** terminal.



* In U.S.A., Central Exchange unit is shipped complete with 3-conductor AC cord.

Be sure to extend an earth-grounding wire from GND terminal.

