

CALL EXTENSION RELAY

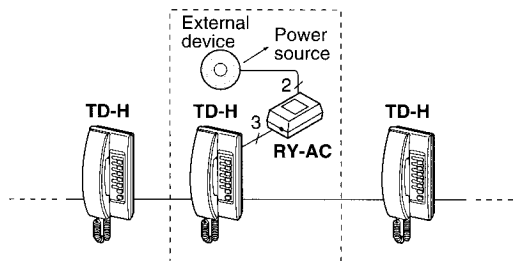
Model: **RY-AC/A**

INSTALLATION & OPERATION MANUAL

1 SYSTEM OUTLINE AND FEATURES

The RY-AC relay is used to activate an external doorbell, buzzer, or signalling device when a call is received. It can be used for call extension on the LEF, TD-H, TD-Z & IE-8MD systems.

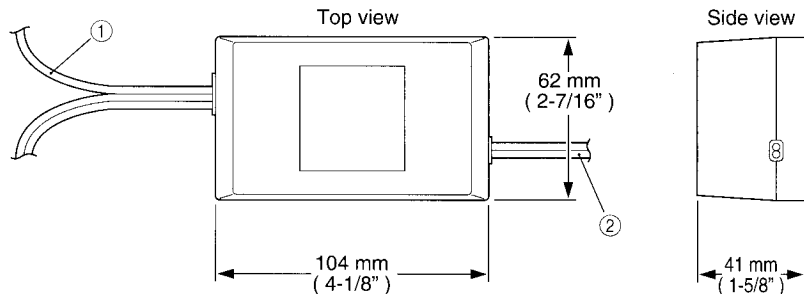
Layout example



Package contents

- Call extension relay (RY-AC)
- Mounting bracket(2) & screws
- Installation & Operation Manual

2 NAMES AND FUNCTIONS



① INPUT OF RELAY:

Red: Positive 12V DC
Black: Negative 12V DC
White: Activation wire

② OUTPUT OF RELAY:

Yellow
Yellow: Dry contact closure

3 SPECIFICATIONS

Relay power source:

12V DC, supplied by intercom system or separate 12V DC power source.

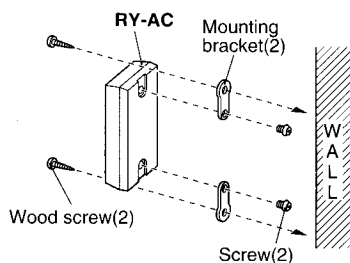
Relay switching capacity:

0.3V 240V AC. 1.0A 24V DC.

External signalling device requirements:

Use AC operated buzzer or DC mechanical buzzer. Do not use DC operated electronic buzzer, as it may damage the relay contact.

4 INSTALLATION



For wall mounting, attach unit to wall with supplied mounting hardware.

- When making wire connections, be sure not to short any wires together. Use wire nuts or protective material to isolate the connections.
- Locate the RY-AC closely with the intercom station with buzzer call. Run relay output wires in a separate sheath from intercom's.
- Refer to Installation & Operation Manual of using intercom for entire system configurations.

5 OPERATIONS

LEF Open voice selective call intercom:

1. The RY-AC allows the integration of a standard doorbell with an LEF open voice intercom system.
2. When the door station's call button is depressed, the relay will be activated and provide a dry closure.
3. The intercom system will receive the standard call-in signal or chime, and the remote doorbell device will be activated.

TD-H & TD-Z Selective call intercom:

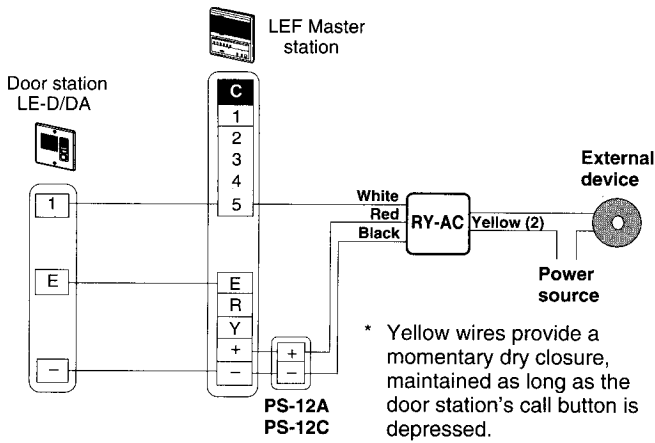
1. Connect the RY-AC relay and the external device will be activated as long as the handset is ringing.
2. When that phone receives a call, the external device will be activated as long as the handset is ringing.

IE-8MD 6-call chime tone intercom:

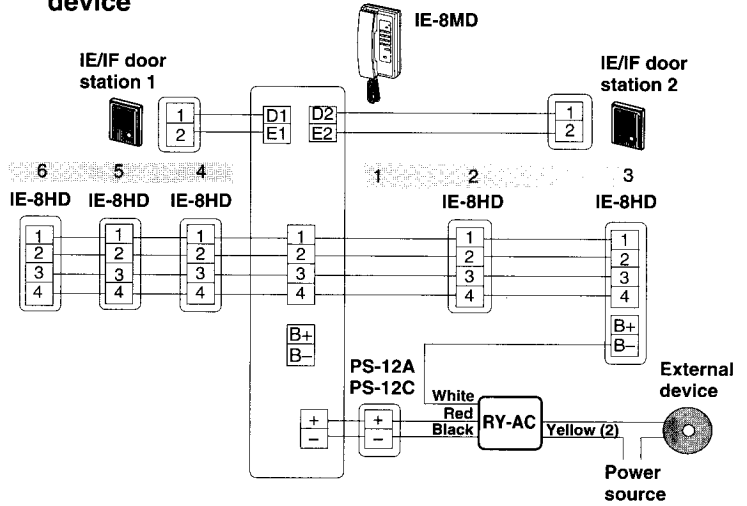
1. Connect the RY-AC relay to either IE-8MD or IE-8HD and the external device will be activated together with a short call tone and voice.
2. When that phone receives a call, the external device will be activated until picking up on the station.

6 WIRING DIAGRAMS

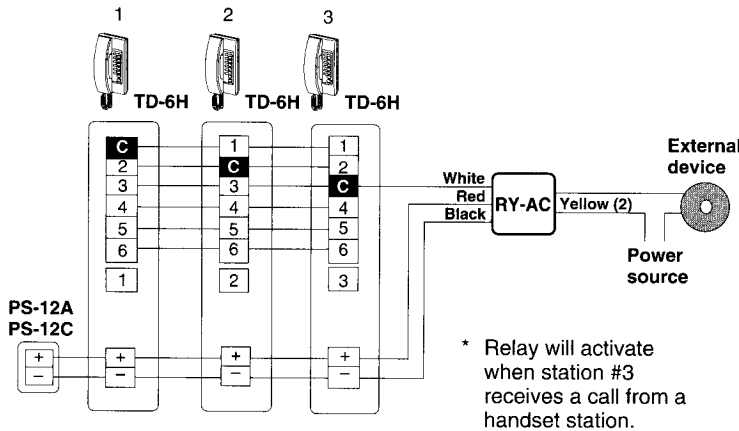
LEF activation of doorbell or remote signalling device



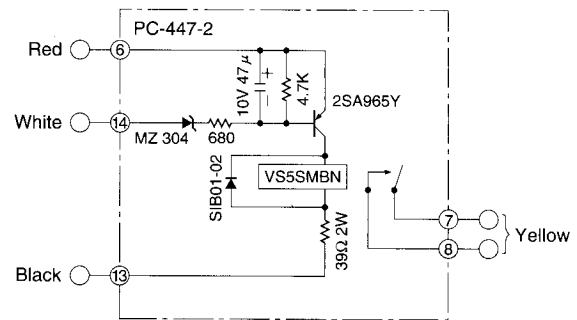
IE-8MD or IE-8HD activation of remote signalling device



TD-H or TD-Z activation of remote signalling device



Schematic diagram



- Relay contact: 0.3A AC 240V, 1.0A DC 24V.
- All parts subject to change.

WARRANTY

Aiphone warrants its products to be free from defects of material and workmanship under normal use and service for a period of one year after delivery to the ultimate user and will repair free of charge or replace at no charge, should it become defective upon which examination shall disclose to be defective and under warranty. Aiphone reserves unto itself the sole right to make the final decision whether there is a defect in materials and/or workmanship; and whether or not the product is within the warranty.

This warranty shall not apply to any Aiphone product which has been subject to misuse, neglect, accident, or to use in violation of instructions furnished, nor extended to units which have been repaired or altered outside of the factory. This warranty does not cover batteries or damage caused by batteries used in connection with the product.

This warranty covers bench repairs only, and any repairs must be made at the shop or place designated in writing by Aiphone.

Aiphone will not be responsible for any costs incurred involving on site service calls.