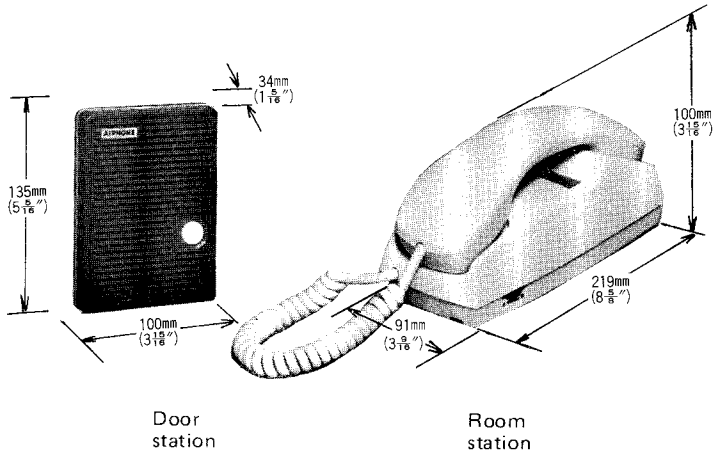


AIPHONE

TWO STATION INTERCOM MODEL TC-ME (SET)

DOOR-ANSWERING SYSTEM, BUT MAY PRACTICALLY FIT OTHER COMMUNICATION NEEDS BETWEEN TWO LOCATIONS.

TC-ME (SET)



- * Simultaneous conversation.
- * Electronic tone call signal with volume control.
- * Long battery life due to low current electronics.
- * Desk or wall mount.
- * Power source: DC 6 volt. Four 1 1/2 volt "C" batteries (room station incorporates battery compartment) or PS-6D (PS-6C in North America) power supply.
- * Wiring and communication range: Single pair of wire – select the proper wire gauge to meet your requirements from the chart below.

Diameter of wire	0.65mm	0.8mm	20AWG	22AWG
Distance	150m	230m	700'	450'

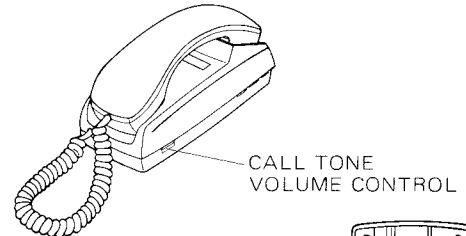
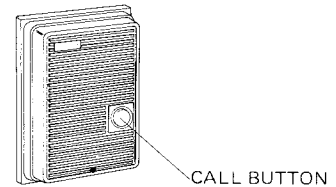
OPERATION

Door station calling:

Momentarily depress call button. Talk and listen hands free to master. Do not push call switch during conversation.

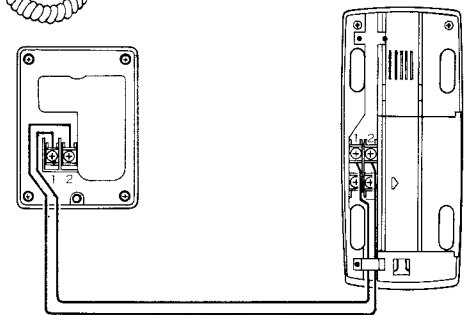
Room station receiving:

Pick up the handset and talk just as on a standard telephone.



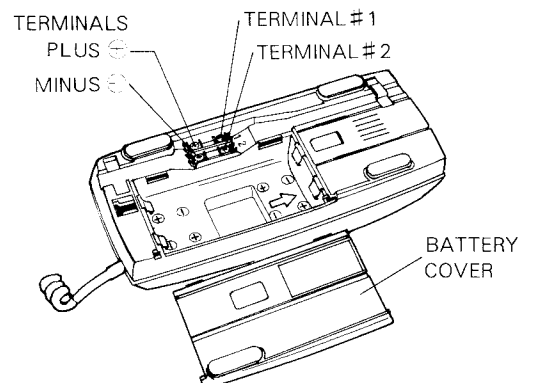
INSTALLATION

Connect terminal #1 on back of room station to terminal #1 on door station. Then connect terminal #2 on room station to terminal #2 on door station. **MAKE SURE YOUR WIRING IS CORRECT.** Incorrect wiring will allow no call tone or voice communication.



- * Insert four 1 1/2 volt "C" batteries in room station. Battery position is clearly indicated in battery compartment. Carefully observe battery polarity.

If PS-6D (or PS-6C) AC adaptor is used, connections can be made to plus (+) and minus (-) terminals on the bottom of room station. Carefully observe polarity.

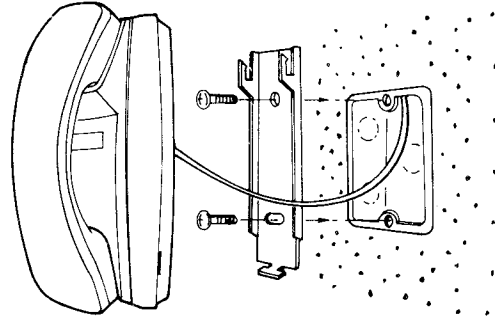


WALL MOUNTING INSTALLATION

Room station:

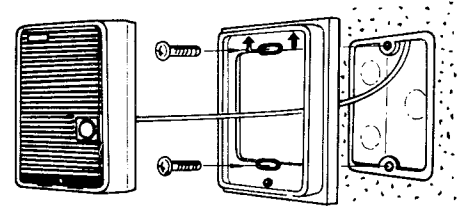
Attach the mounting bracket with screws to wall or plaster ring. Insert the prongs of the bracket into the holes of the body and pull the body downward.

(Be careful not to attach the bracket upside down).



Door station:

* Attach bottom case to wall or plaster ring. Connect wires and insert front panel.



CLEANING YOUR INTERCOM STATIONS

* Your Aiphone intercom stations may be cleaned with a soft cloth dampened with household cleanser, such as Mr. Clean or Fantastik.

We at AIPHONE are proud of our products. Our designers and engineers strive to bring you the finest in communication equipment. Each item has been carefully tested and inspected before leaving our factory. Properly installed and used, your Aiphone intercom system should give years of trouble-free service.

We are pleased to offer the following warranty:

WARRANTY

Aiphone warrants its products to be free from defects of material and workmanship under normal use and service for a period of one year after delivery to the ultimate user and will repair free of charge or replace at no charge, should it become defective upon which examination shall disclose to be defective and under warranty. Aiphone reserves unto itself the sole right to make the final decision whether there is a defect in materials and/or workmanship; and whether or not the product is within the warranty.

This warranty shall not apply to any Aiphone product which has been subject to misuse, neglect, accident, or to use in violation of instructions furnished, nor extended to units which have been repaired or altered outside of the factory.

This warranty does not cover batteries or damage caused by batteries used in connection with the product.

This warranty covers bench repairs only, and any repairs must be made at the shop or place designated in writing by Aiphone. Aiphone will not be responsible for any costs incurred involving on site service calls.

Aiphone Co., Ltd., Nagoya, Japan
Aiphone U.S.A., Inc., Bellevue, Washington

TC-MEI-0778 ©

ALL OVER THE WORLD

AIPHONE

PRINTED IN JAPAN