

SYSTEM/MODEL: TD-H/B

MODIFICATION: TD-H/B System with one button ringing to all handsets

DIFFICULTY LEVEL: 2 - Easy/moderate - Component connection to external points.

COMPONENTS REQUIRED: DAK-2S: One for every two phones

INSTR/OPERATIONS: 1. Connect components as shown in following diagram.

NOTE: This configuration changes the TD-H to a COMMON TALK system (with one talkpath). When a conversation is taking place on any channel, a person can hear the conversation when picking up any other handset.

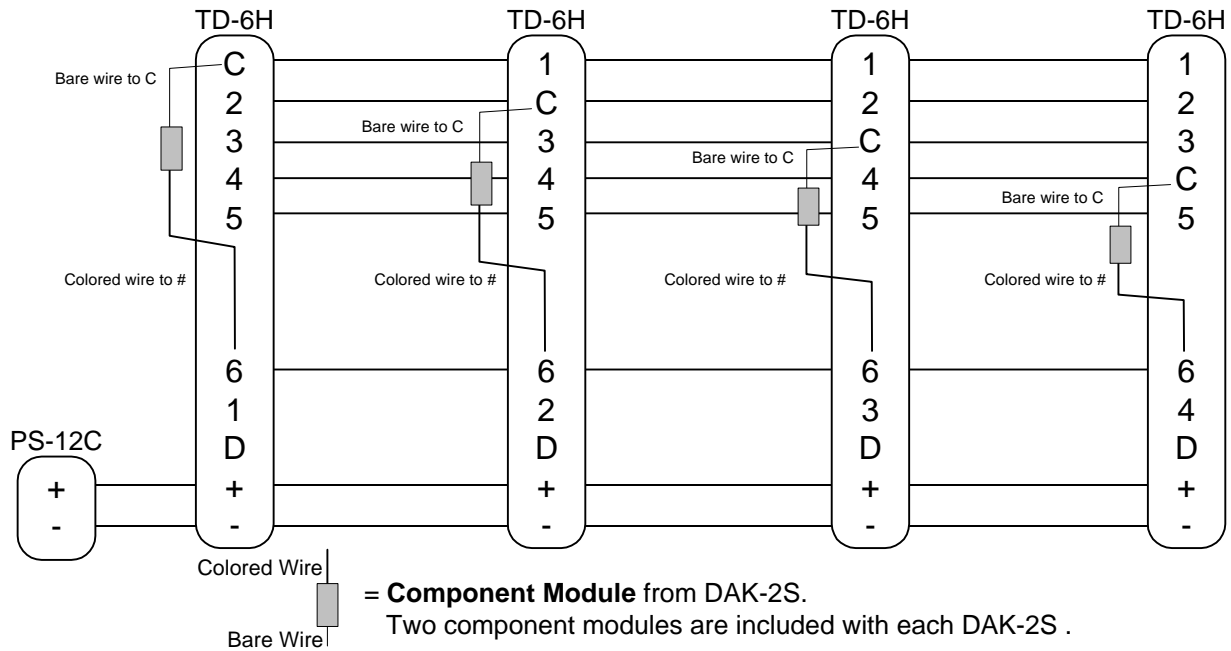
REFERENCE DRAWING #:

Aiphone's product warranty applies to products properly modified using these instructions.
However, if a unit is damaged as a result of improper modification, the warranty does not apply.

MODIFICATION DIAGRAM

TD-H SYSTEM WITH ONE-BUTTON RINGING TO ALL HANDSETS

4 TD-6H'S WITH ONE-BUTTON RINGING TO ALL OTHER PHONES



NOTES:

1. **THIS MODIFICATION CONVERTS THE SYSTEM TO COMMON TALK (one talkpath).**
2. To ring all phones with one button, wire the system as shown.
This example uses station 6 to call all other phones. Any unused station # can be used.
3. Connect the bare wire end of each component module to "C" terminal of each phone, and the colored wire to the "#" terminal.

SELECTIVE AND ONE-BUTTON RINGING FROM SUB STATIONS

