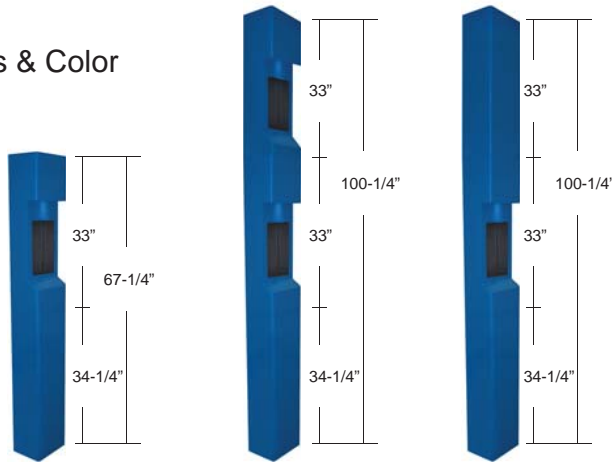


Step 1: Modular Tower Sizes & Color

NOTE: Towers are designed to be used with IX Series and IS Series Emergency Stations.

If a different station is required, please contact Aiphone Technical Support for assistance.



	2-Module Mid-Level Tower (Standard)	3-Module Dual Station Tower (For car / truck gate entry applications)	3-Module High-level Tower (Height increases visibility from a distance)
(B)lue	TW-20B <input type="checkbox"/>	TW-22B <input type="checkbox"/>	TW-23B <input type="checkbox"/>
Blac(K)	TW-20K <input type="checkbox"/>	TW-22K <input type="checkbox"/>	TW-23K <input type="checkbox"/>
(R)ed	TW-20R <input type="checkbox"/>	TW-22R <input type="checkbox"/>	TW-23R <input type="checkbox"/>
(W)hite	TW-20W <input type="checkbox"/>	TW-22W <input type="checkbox"/>	TW-23W <input type="checkbox"/>
(Y)ellow	TW-20Y <input type="checkbox"/>	TW-22Y <input type="checkbox"/>	TW-23Y <input type="checkbox"/>

Step 2: Tower Cap Options

Cap should be same color as tower.



	Top Plate only, No Light	Light Cage w/ Blue Beacon/Strobe
(B)lue	TW-TPB <input type="checkbox"/>	TW-LCB <input type="checkbox"/>
Blac(K)	TW-TPK <input type="checkbox"/>	TW-LCK <input type="checkbox"/>
(R)ed	TW-TPR <input type="checkbox"/>	TW-LCR <input type="checkbox"/>
(W)hite	TW-TPW <input type="checkbox"/>	TW-LCW <input type="checkbox"/>
(Y)ellow	TW-TPY <input type="checkbox"/>	TW-LCY <input type="checkbox"/>

Step 3: Lettering Options

(Lettering color and tower color cannot be the same. In addition, some lettering colors may not be suitable with some tower colors.)

Indicate how many sides lettering is to appear on* _____



*Enter "zero" for no lettering on tower

	Suitable for Tower Colors	ASSISTANCE	EMERGENCY
(B)lue Lettering	<input type="radio"/>	TW-ASB <input type="checkbox"/>	TW-EMB <input type="checkbox"/>
Blac(K) Lettering	<input type="radio"/>	TW-ASK <input type="checkbox"/>	TW-EMK <input type="checkbox"/>
(R)ed Lettering	<input type="radio"/>	TW-ASR <input type="checkbox"/>	TW-EMR <input type="checkbox"/>
(W)hite Lettering	<input type="radio"/> <input type="radio"/> <input type="radio"/>	TW-ASW <input type="checkbox"/>	TW-EMW <input type="checkbox"/>
(Y)ellow Lettering	<input type="radio"/> <input type="radio"/> <input type="radio"/>	TW-ASY <input type="checkbox"/>	TW-EMY <input type="checkbox"/>

Step 4: Installation Kit

Suggested for inground cement slab mounting.

L-Bolt Mounting Hardware: TW-MKL

Step 5: Contact Information

Name: _____

Phone: _____

e-Mail: _____

Quantity of Towers with this configuration:

Notes: _____

Step 6: Submit Tower Design Sheet.

Email to tech@aiphone.com or FAX to **800-525-3372**