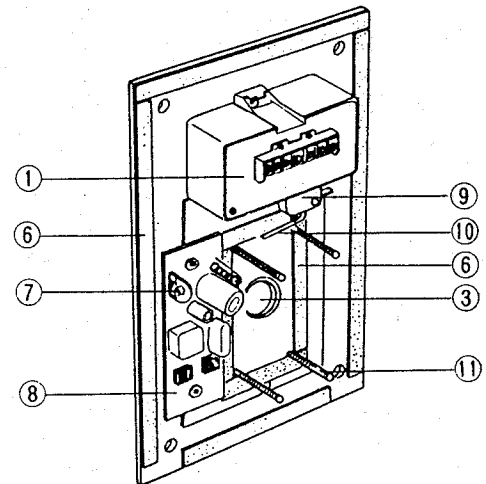
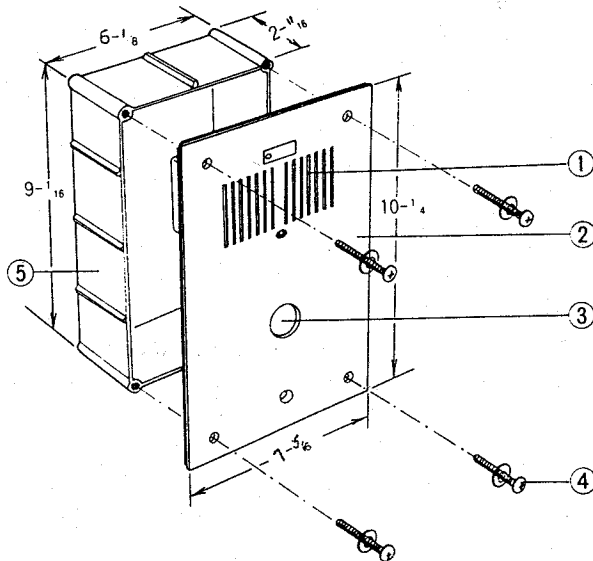


APARTMENT HOUSE INTERCOM w/POSTAL LOCK

MODEL: VCM-OP (Type A)

PROVIDES TIME DELAY REMOTE DOOR OPENING WITH 4 COMMON + 1 SELECTIVE WIRING

VCM-OP



FRONT PANEL REAR VIEW

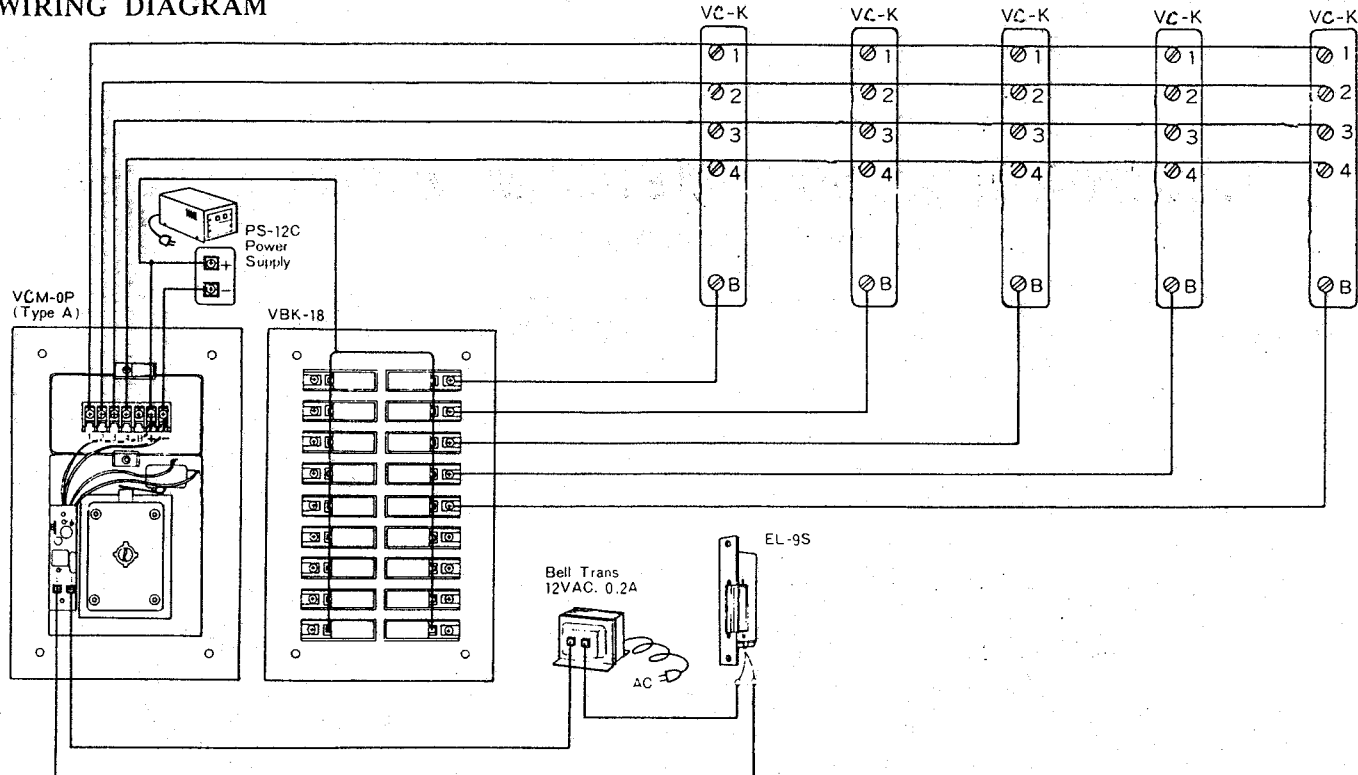
NAMES & FUNCTIONS

- | | |
|---------------------------------|--|
| ① Speaker, mic w/amplifier unit | ⑦ Timer adjustment control |
| ② Front panel | ⑧ Circuit for timing cycle |
| ③ Keyhole for postal lock | ⑨ Microswitch |
| ④ Screw (4 pcs) | ⑩ Microswitch lever |
| ⑤ Back box | ⑪ Mounting studs for postal lock (4 pcs) |
| ⑥ Weather stripping | |

ASSEMBLY INSTRUCTIONS

- 1) PLEASE READ all directions carefully before proceeding to mount postal lock.
- 2) UNSCREW the four each holding screws on the front panel of the VCM-OP intercom.
- 3) REMOVE the four screws and lift the VCM-OP intercom front panel from back box.
- 4) TURN the front panel over and observe the mounting studs for placement of postal lock assembly.
- 5) NOTE: Since the postal lock bolt always protudes in the locked position, carefully push the microswitch lever back to allow for fitting of the postal lock assembly.
- 6) POSTAL LOCK assembly will fit snugly against the weather stripping and the postal lock assembly keyhole will protude through the hole in the front panel.
- 7) CAREFULLY adjust the height of the microswitch to provide correct contact between the postal lock bolt and microswitch lever.
- 8) REMOVE the four each nuts and washers from the assembly pack and secure the postal lock assembly snugly, but not tightly.
- 9) WIRE the VCM-OP postal intercom unit according to the wiring diagram on backside.

WIRING DIAGRAM



NOTE: Wiring from "L & L" terminals on VCM-OP to AC transformer/EL-9S should be separated from communication cable.

OPERATING INSTRUCTIONS

- 1) THE VCM-OP intercom timer can be adjusted within the range of 6 to 19 seconds.
- 2) ADJUSTMENT of timing cycle is obtained by turning the timer adjust pot to desired position. Turn timer clockwise to decrease timing cycle. Turn timer counter-clockwise to increase timing cycle. NOTE: Mid-range setting provides approximately 12 seconds, usually ample time.
- 3) TIMER should be adjusted to allow adequate time for your postman to get from the VCM-OP intercom to the door.
- 4) TO ACTIVATE the timer, the postman will insert his postal key, turn key and remove. The timing cycle begins when key is removed.
- 5) AFTER removing key, the electric door lock (EL-9S) will be engaged, allowing the postman entry through the door.
- 6) THERE is nothing else for the postman to do. Timer will automatically close the door lock.

We are pleased to offer the following warranty:

WARRANTY

Aiphone warrants its products to be free from defects of material and workmanship under normal use and service for a period of one year after delivery to the ultimate user and will repair free of charge or replace at no charge, should it become defective upon which examination shall disclose to be defective and under warranty. Aiphone reserves unto itself the sole right to make the final decision whether there is a defect in materials and or workmanship; and whether or not the product is within the warranty.

This warranty shall not apply to any Aiphone product which has been subject to misuse, neglect, accident, or to use in violation of instructions furnished, nor extended to units which have been repaired or altered outside of the factory.

This warranty does not cover batteries or damage caused by batteries used in connection with the product.

This warranty covers bench repairs only, and any repairs must be made at the shop or place designated in writing by Aiphone. Aiphone will not be responsible for any costs incurred involving on site service calls.

Aiphone Corporation
 1700 130th Ave. N.E.
 Bellevue, WA 98005
 (206) 455-0510
 FAX: (206) 455-0071

Communication systems for business, home, and industry.