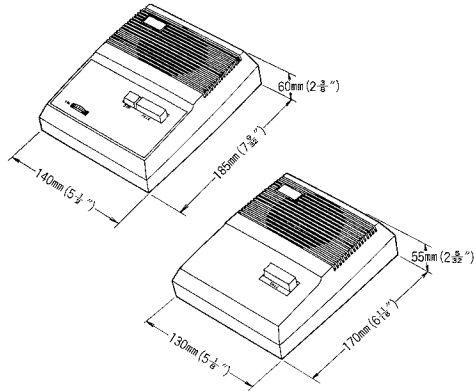


AIPHONE

TWO-STATION INTERCOM MODEL LAA-1 (SET)

SIMPLE "DO IT YOURSELF" INSTALLATION - EASY TO OPERATE!

LAA-1 (SET)



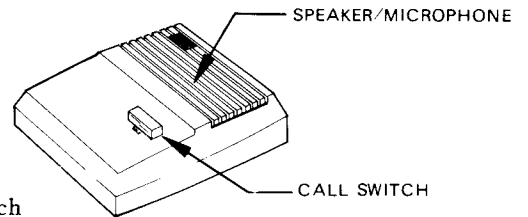
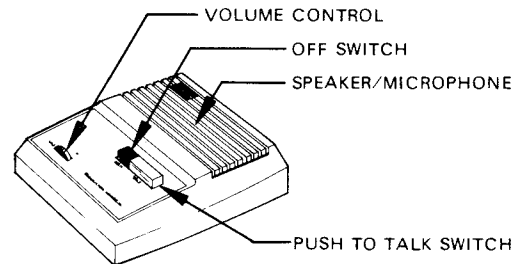
- * Loud-speaking type intercom with volume control. Open voice substation allows hand-free remote reply from anywhere in a room.
- * Designed for either desk use or wall mounting (hardware included).
- * Electronic tone call signal.
- * Power source: PS-6D (PS-6C in North America) or four 1½ volt "C" batteries.
- * Wiring and communication range: Single pair of wire. Select the proper wire guage to meet your requirements from the chart below.

Diameter of wire	0.65 mm	0.8 mm	19 AWG	22 AWG
Distance	300 m	500 m	2000 feet	1000 feet

- OPERATION -

MASTER STATION:

1. Depress and hold "Push to talk" switch during transmission.
2. Release "Push to talk" switch to listen to or monitor substation.
3. To conserve batteries, depress "Off" switch when not using system.
4. You may call substation by voice or by call tone. To call by voice, depress "Push to talk" switch and commence speaking. To call by call tone, depress "Push to talk" switch and "Off" switch simultaneously.
5. Adjust volume control for desired volume level.



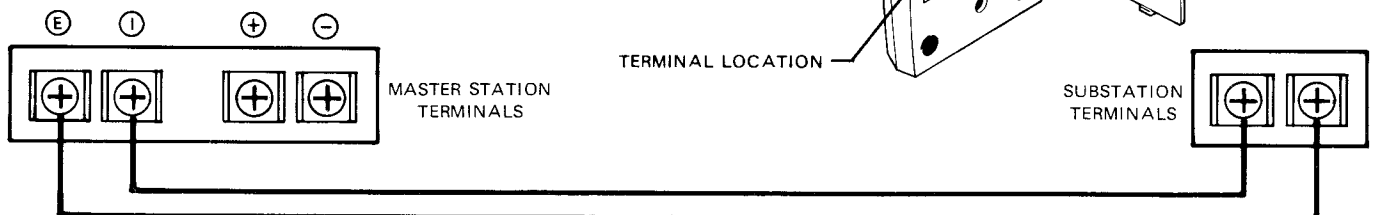
SUBSTATION:

1. To call master station, momentarily depress "Call" switch.
2. Talk and listen hands free to master. Do not push "Call" switch during conversation.

- INSTALLATION -

MASTER STATION:

1. Insert 4 1½ volt "C" batteries (not included) in battery compartment. Direction of batteries is clearly indicated in compartment.
2. Install 2-conductor wire as shown below. Nonpolar unit allows connection of either wire to either terminal at substation.



SUBSTATION: Attach two wires from master as shown above.

CLEANING YOUR INTERCOM STATIONS

* Your Aiphone intercom stations may be cleaned with a soft cloth dampened with household cleanser, such as Mr. Clean or Fantastik.

We at AIPHONE are proud of our products. Our designers and engineers strive to bring you the finest in communication equipment. Each item has been carefully tested and inspected before leaving our factory. Properly installed and used, your Aiphone intercom system should give years of trouble-free service.

We are pleased to offer the following warranty:

WARRANTY

Aiphone warrants its products to be free from defects of material and workmanship under normal use and service for a period of one year after delivery to the ultimate user and will repair free of charge or replace at no charge, should it become defective upon which examination shall disclose to be defective and under warranty. Aiphone reserves unto itself the sole right to make the final decision whether there is a defect in materials and/or workmanship; and whether or not the product is within the warranty.

This warranty shall not apply to any Aiphone product which has been subject to misuse, neglect, accident, or to use in violation of instructions furnished, nor extended to units which have been repaired or altered outside of the factory.

This warranty does not cover batteries or damage caused by batteries used in connection with the product.

This warranty covers bench repairs only, and any repairs must be made at the shop or place designated in writing by Aiphone. Aiphone will not be responsible for any costs incurred involving on site service calls.

Aiphone Co., Ltd., Nagoya, Japan
Aiphone U.S.A., Inc., Bellevue, Washington

ALL OVER THE WORLD **AIPHONE**

LAA-1-I-0778 ©

Printed in Japan