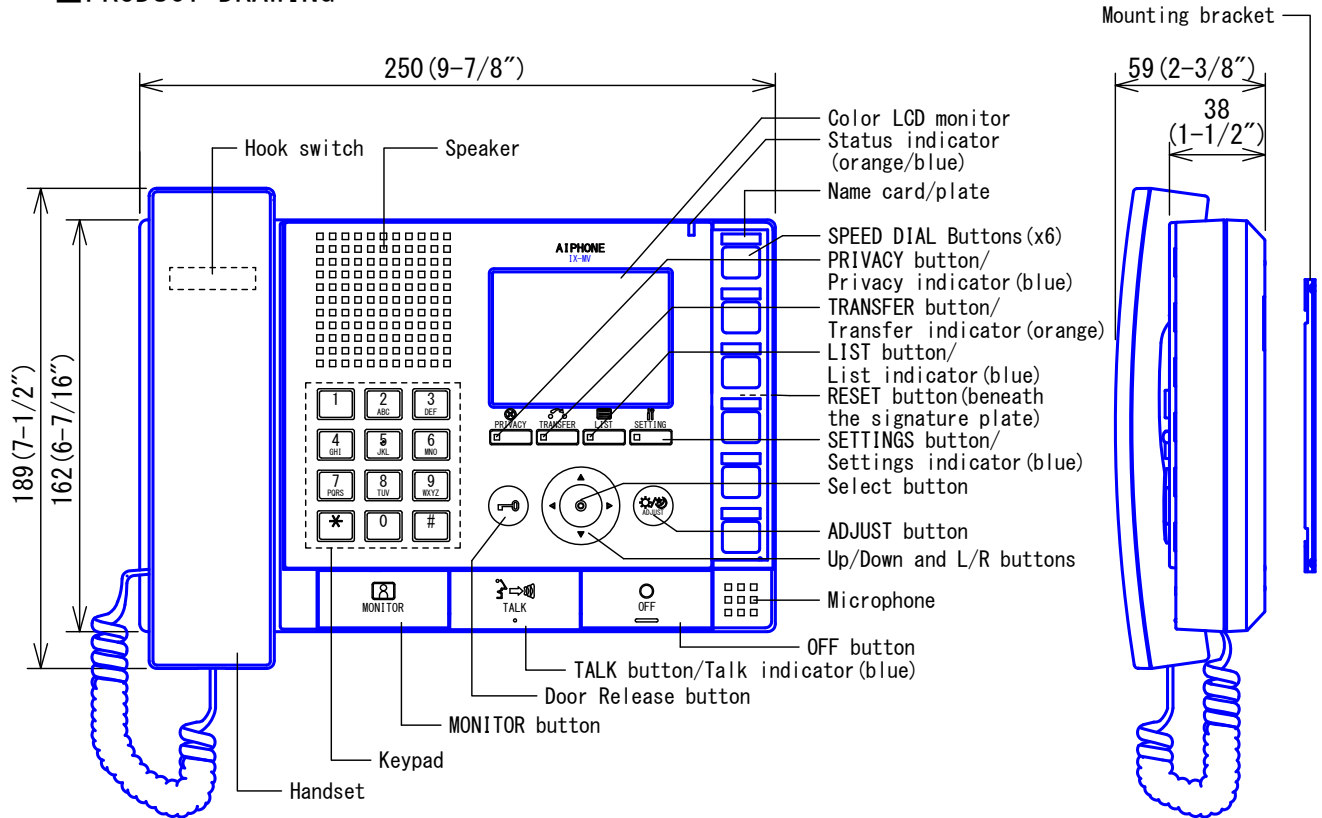


■ PRODUCT DRAWING



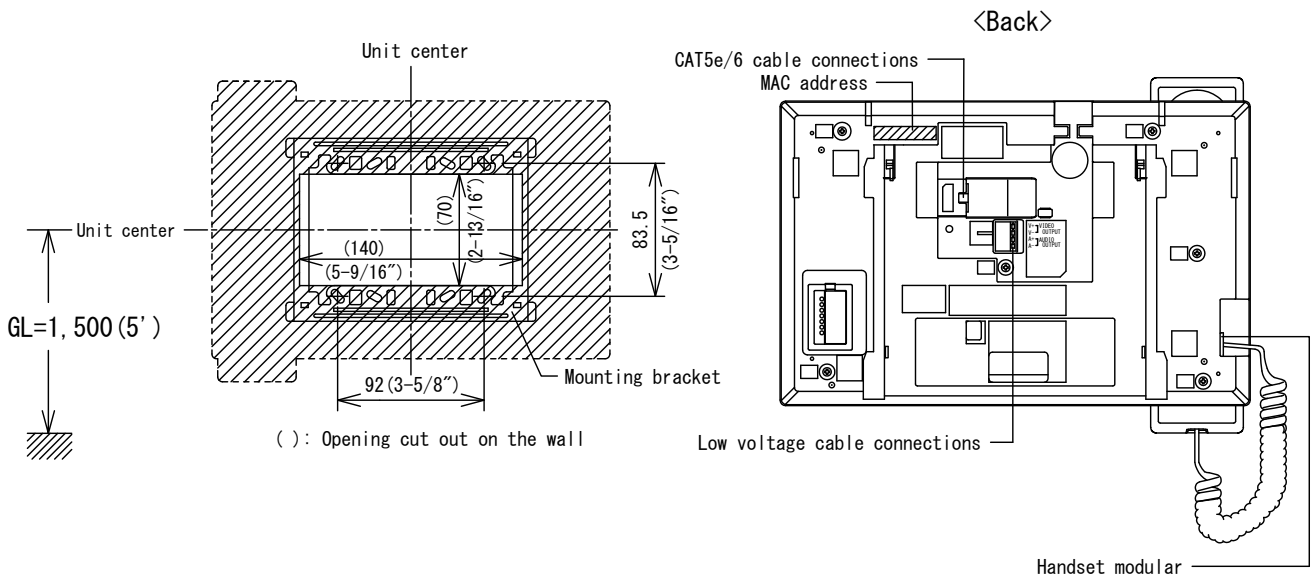
■ SPECIFICATIONS

Power source	Power-over-Ethernet (IEEE 802.3af Class 0)
Consumption current	Standby 35mA, maximum 90mA
Communication	Hands-free/Push-to-talk Handset: Full-duplex/Push-to-talk
Monitor	3.5 inch TFT color LCD
LAN	Ethernet (10BASE-T, 100BASE-TX)
Audio codec	G. 711
Video codec	H. 264/AVC, Motion JPEG
Protocol	IPv4, IPv6, TCP, UDP, SIP, HTTP, HTTPS, RTSP, RTP, RTCP, IGMP, MLD, SMTP, FTP, DHCP, NTP, DNS
Encryption method	SSL3.0, TLS1.0, TLS1.1, TLS1.2
Packet delivery	Unicast, Multicast
Number of stations in address book	500 stations
Operating temperature	0 ° C to +40 ° C (+32 ° F to +104 ° F)
Mounting	Desktop use (with desktop stand) or wall-mount
Electrical box	3-gang box: wiring and fixing
Materials	Fire-retardant resin
Color	Hardware: flat black, Panel: dark gray metallic
Weight	Approx. 850g (1.87lbs.) (when used with desk stand: approx. 1140g (2.51lbs.))
Remarks	Support the ONVIF "Profile S"

DESCRIPTION	FIG. NAME	UNIT	DATE
MASTER STATION	PRODUCT/SPECIFICATIONS	mm	17 December, 2014
MODEL NO.	FIG. NO.	PAGE	REVISION
IX-MV	59790-1-12	1/12	1
			AIPHONE

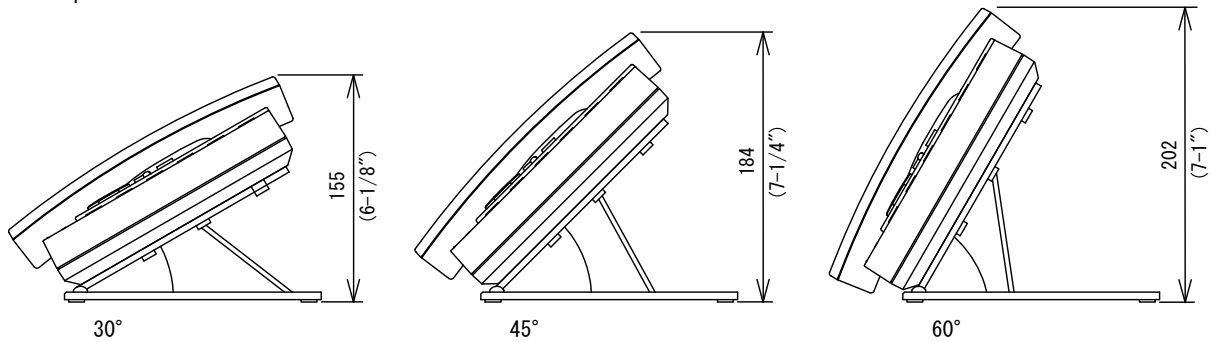
● MOUNTING

• Wall-mounting

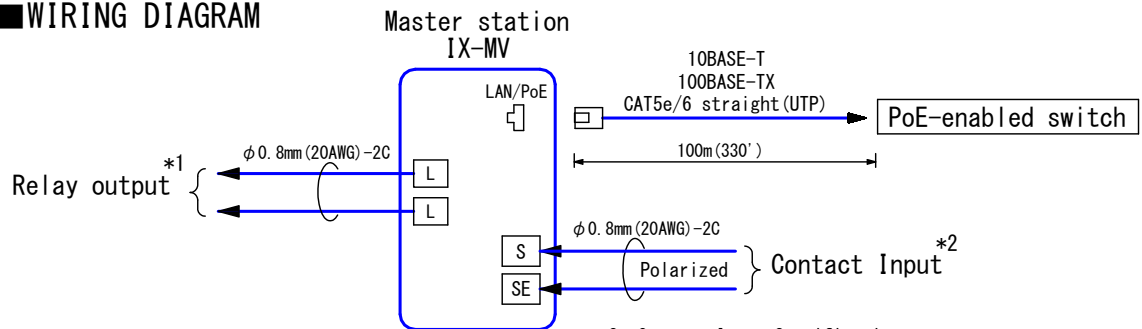


• Desktop mounting (with desktop stand)

* Desktop stand is included with IX-MV



■ WIRING DIAGRAM



*1. Relay Output Specifications

Output method	Normally open dry contact
Voltage between the terminals	AC24V, 0.5A (resistive load) DC24V, 0.5A (resistive load) Minimum load (AC/DC): 100mV, 0.1mA

*2. Contact Input Specifications

Input method	Form C dry contact (N/O or N/C)
Fixed detection time	Level detection method 200msec or more
Contact resistance	Maximum closure resistance: 700Ω or less Minimum open resistance: 3kΩ or more
Terminal short-circuit current	10 mA or less
Voltage between the terminals	DC5V or less (between open terminals)

DESCRIPTION MASTER STATION	FIG. NAME PRODUCT/WIRING	UNIT mm	DATE 17 December, 2014
MODEL NO. IX-MV	FIG. NO. 59790-2-12	PAGE 2/12	REVISION 1
			AIPHONE

■ RESTRICTIONS

- A PoE-compatible switch must be used as the switch (hub) for station connection.
- A computer is required to make system settings.
IX system can be configured in one of the two methods, "IX Support Tool" application or Web browser. Once the system has been configured through a browser, the settings cannot be transferred to IX Support Tool. The IX Support Tool is recommended to manage settings.
- Due to handsfree auto voice actuation system, smooth voice switching may be hindered by voice strength of the opponent or ambient noise, etc.
- When set only Push-to-talk mode, all communication, including the use of the handset, will be Push-to-talk.
- A door station cannot be monitored during a call or communication.
- You cannot transfer calls that have already been transferred.
- Specific outgoing or incoming call records cannot be saved.
- Depending on the system configuration, there are cases when the response by the master station might make a short wait before communication starts.
- While updating the System settings, stations unavailable.
- Data on unused units must not be saved in the address list.

■ RESTRICTIONS ABOUT THE NETWORK

- Connection cannot be made over the Internet (global IP network).
- We do not recommend using a wireless LAN as it may not operate correctly due to security issues or communication speed delays.
- The procedures used for making network settings differ depending on the availability of automatic IP address assignment through DHCP or stateless automatic setup.
- For IPv4 Address with DHCP, due to the architecture of the IX system, DHCP configuration is only recommended for network environments utilizing managed (static) IP address leasing.
- For stateless IPv6 Address, do not change the prefix of the device so that it cannot transmit Router Advertisement (RA).
- For IPv6 Address with DHCP, due to the architecture of the IX system, DHCP configuration is only recommended for network environments utilizing managed (static) IP address leasing.
The DUID of the device: 00030001 + MAC address
- Depending on the network environment and computer, prior arrangements and setup operations involving the network administrator might be necessary.
- Download the Settings data and store it at a safe location. Otherwise, it may become impossible to restore the settings after fixing a failure.
Make sure not to use duplicate file names when saving data.
- Depending on the network environment, operation delays might occur.
- Some time might be required for picture transmission or paging over a network.
- Depending on the network environment or other factors, audio or video dropout, delays, lower frame rates, or other loss of correct operation might occur.
- The protocols used by this system must be supported.
IPv4, IPv6, TCP, UDP, SIP, HTTP, HTTPS, RTSP, RTP, RTCP, IGMP, MLD, SMTP, FTP, DHCP, NTP, DNS
- The network bands used by each device are as follows.
G.711 : 64kbps x 2(in communication), 64kbps x stations(on page)
H.264 : 64kbps - 2048kbps
- IPv4 and IPv6 cannot be mixed in the same system.
- When using multicasting for web-setup network-camera searches, video, or audio, use in an environment that does not reject IGMPv3 or MLDv2.

DESCRIPTION MASTER STATION	FIG. NAME RESTRICTIONS		UNIT mm	DATE 17 December, 2014
MODEL NO. IX-MV	FIG. NO. 59790-3-12	PAGE 3/12	REVISION 1	AIPHONE

FUNCTIONS

- **Calling**
 - Individual Call: Call a specific station.
 - Group Call: Make an outgoing call to all stations that belong to the selected group.
Group calls can not be made to door stations.
 - Contact input call: Make an outgoing call to all stations that belong to the selected group by Contact input. Contact input calls can not be made to door stations.
- **Answer and communication**
 - Push-to-talk: This communication system sends speech while the "Talk" button is pressed.
 - Microphone mute: During the talking, the microphone can be turned off on the station by pressing and holding privacy button.
 - Auto answer: When auto answer is enabled, an individual call from another Master Station will be answered automatically.
 - Privacy: This feature prevents an in-coming message from being heard when auto answer feature is enabled.
- **Monitor**
 - Monitor the door station: Door station video and audio can be monitored.
Master Stations cannot be monitored.
 - Monitor a network camera: Monitor video from a network camera.
- **Transfer**
 - Transfer calls (during communication): Transfer an answered call to another master station.
 - Absent transfer: Activate absent transfer, the incoming calls is sent to another station automatically. Group calls can not be made to door stations.
 - Schedule transfer: A call can be transferred automatically, according to a schedule.
Group calls can not be made to door stations.
 - Delay transfer: Incoming calls can be transferred to another station automatically when not answered within a set period of time. Group calls can not be made to door stations.
- **Paging**
 - Paging a group: Send a page to all stations that belong to a selected group.
 - Paging all stations: Send a page to all stations that are registered on this device.
Note) Unicast can reach up to 50 stations.
- **Others**
 - Unlock a door: Unlock an electric lock while receiving an incoming call, during communication, or during monitoring.
 - Up to each 20 incoming/outgoing call records are stored. Station monitoring is not logged in the history.
 - The event notification can be received from a network camera.
 - Adjust video to enhance visibility: The image will be adjusted to back light compensation and night correction.
 - Send e-mails: An e-mail can be sent to pre-registered e-mail addresses when triggering event occurs.
- **Indicators**

Name	Status	Description	Name	Status	Description
Status indicator	Orange flashing	Booting	Status indicator	Blue light	During communication
		Device error			Standby (Depends on setting)
		Communication failure	Talk indicator		Hands-free or push-to-talk transmission
		Firmware version upgrading			In privacy mode
		Initializing			Privacy indicator
	Blue flashing	Calling destination busy	Transfer indicator	Orange flashing	Transferring
		Outgoing calling, monitoring, or paging calling		Orange light	Setting absent transfer
		Incoming calling	List indicator	Blue light	In list mode
		Missed call	Setting indicator		In settings mode

DESCRIPTION MASTER STATION	FIG. NAME FUNCTIONS	UNIT mm	DATE 17 December, 2014
MODEL NO. IX-MV	FIG. NO. 59790-4-12	PAGE 4/12	REVISION 1
			AIPHONE

SETTING

- Settings (on the device)

Configure the monitor and button operation for this device.

∞: Infinite

Entry	Settings	Default values
OUTGOING CALL TIMER	10-600 Sec (by 1 sec) / ∞	60 Sec
RINGBACK TONE COUNT	1-20 x (by 1 time) / ∞	∞ x
OP-IN CALL TIMER	10-600 Sec (by 1 sec) / ∞	60 Sec
OP-IN CALL RNG CNT	1-20 x (by 1 time) / ∞	∞ x
AUTO ANSWER	ON/OFF	OFF
PRIVACY	ON/OFF	OFF
RINGTONE COUNT	1-20 x (by 1 time) / ∞	∞ x
ABSENT TRANSFER SETTING		
ABSENT TRANSFER	ON/OFF	OFF
X' FER TO (STATION)	—	—
X' FER SCHEDULE SETTING		
SCHEDULE TRANSFER	ON/OFF	OFF
X' FER TO (STATION)	—	—
SCHEDULE SETTING	SUN --:-- TO --:--	SUN --:-- TO --:--
	MON --:-- TO --:--	MON --:-- TO --:--
	TUE --:-- TO --:--	TUE --:-- TO --:--
	WED --:-- TO --:--	WED --:-- TO --:--
	THU --:-- TO --:--	THU --:-- TO --:--
	FRI --:-- TO --:--	FRI --:-- TO --:--
	SAT --:-- TO --:--	SAT --:-- TO --:--
DELAY TRANSFER SETTING		
DELAY TRANSFER	ON/OFF	OFF
X' FER TO (STATION)	—	—
DELAY	1-300 Sec (by 1 sec)	30 Sec
FORCE PUSH-TO-TALK	ON/OFF	OFF
TALK TIMEOUT	30-600 Sec (by 1 sec)	60 Sec
PRETONE	ON/OFF	ON
PAGING TIMEOUT	10 to 600 Sec (by 1 sec)	30 Sec
MONITOR TIMEOUT	10 to 600 Sec (by 1 sec)	60 Sec
VOLUME SETTING		
SPEAKER VOL	10 levels	6
HANDSET VOL	10 levels	6
RINGTONE VOL	Mute / 10 levels	6
BTN FEEDBACK TONE	ON/OFF	OFF
CHIME SETTING		
RINGTONE	Select from ringtones registered on the device	Call Pattern 1
OP-IN RINGTONE	Select from ringtones registered on the device	Call Pattern 2
DATE AND TIME	2012/1/1/00:00:00 - 2037/12/31/23:59:59	2013/1/1/ 00:00:00
DISPLAY SETTING		
BRIGHTNESS	10 levels	6
STANDBY LED STATE	ON/OFF	ON
LANGUAGE	JPN/ENG/FRE/SPA/DUT/ZHT/ZHC	ENG
SPEED DIAL SETTING	Register an outgoing call destination station or group and outgoing call type to the speed dial buttons.	—
DATE INITIALIZATION	Initializing the device will reset all settings to default. Outgoing and incoming call history will be cleared.	—

DESCRIPTION MASTER STATION	FIG. NAME SETTING	UNIT mm	DATE 17 December, 2014
MODEL NO. IX-MV	FIG. NO. 59790-5-12	PAGE 5/12	REVISION 1
			AIPHONE

● WEB setting (on the computer)

Connect to the same network as the device and manage the settings from PC web browser.
The PC should meet the following requirements to be capable of configuring the system.

Network	Ethernet (10 BASE-T, 100 BASE-TX)
Web browser	Internet Explorer 7.0, 8.0, 9.0 or 10.0 (SSL 3.0 or TLS 1.0 or later)

A: administrator and U: user

Entry	Settings	Default values	Access Level	
			A	U
Station Information				
Identification				
Number	3-5 digits	—	<input type="radio"/>	<input type="checkbox"/>
Name	1-24 alphanumeric characters	—	<input type="radio"/>	<input type="checkbox"/>
Location	1-24 alphanumeric characters	—	<input type="radio"/>	<input type="checkbox"/>
ID and Password				
Administrator ID	1-32 alphanumeric characters	admin	<input type="radio"/>	<input type="checkbox"/>
Administrator Password	1-32 alphanumeric characters	admin	<input type="radio"/>	<input type="checkbox"/>
User ID	1-32 alphanumeric characters	user	<input type="radio"/>	<input type="radio"/>
User Password	1-32 alphanumeric characters	user	<input type="radio"/>	<input type="radio"/>
Language				
Language	Japanese/English/French/Spanish/Dutch/ Traditional Chinese/Simplified Chinese	English	<input type="radio"/>	<input type="radio"/>
Time				
Time Zone				
Select time zone	Select from 99 regions	(GMT-08:00) Pacific Standard Time (U.S.), Tijuana	<input type="radio"/>	<input type="radio"/>
Daylight Savings Time				
Enable automatic daylight savings time	Yes/No	No	<input type="radio"/>	<input type="radio"/>
NTP				
Enable NTP	Yes/No	No	<input type="radio"/>	<input type="radio"/>
Date and Time				
Time	2012/1/1/00:00:00 - 2037/12/31/23:59:59	2013/1/1/00:00:00	<input type="radio"/>	<input type="radio"/>
Network Settings				
IP Address				
IP addressing method	IPv4: Static/DHCP IPv6: Static/Stateless/DHCPv6	IPv4 Static	<input type="radio"/>	<input type="checkbox"/>
IPv4 Address				
IP Address	1. 0. 0. 0-223. 255. 255. 255	—	<input type="radio"/>	<input type="checkbox"/>
Subnet Mask	128. 0. 0. 0-255. 255. 255. 255	—	<input type="radio"/>	<input type="checkbox"/>
Default Gateway	1. 0. 0. 0-223. 255. 255. 255	—	<input type="radio"/>	<input type="checkbox"/>
IPv6 Address				
IP Address	2000::0-3FFF:FFFF:FFFF:FFFF:FFFF:FFFF:FFFF:FFFF or FD00::0-FDFF:FFFF:FFFF:FFFF:FFFF:FFFF:FFFF:FFFF	—	<input type="radio"/>	<input type="checkbox"/>
Default Gateway	::FF:0-FE:FF:FFFF:FFFF:FFFF:FFFF:FFFF:FFFF	—	<input type="radio"/>	<input type="checkbox"/>
DNS				
Primary Server	IPv4: 1. 0. 0. 0-223. 255. 255. 255 IPv6: ::FF:0-FE:FF:FFFF:FFFF:FFFF:FFFF:FFFF:FFFF	—	<input type="radio"/>	<input type="checkbox"/>
Secondary Server	IPv4: 1. 0. 0. 0-223. 255. 255. 255 IPv6: ::FF:0-FE:FF:FFFF:FFFF:FFFF:FFFF:FFFF:FFFF	—	<input type="radio"/>	<input type="checkbox"/>
SIP				
Connection				
SIP Signaling Port	1-65535	5060	<input type="radio"/>	<input type="checkbox"/>
Miscellaneous				
Call health check timer [sec]	Do not transmit re-INVITE/80-3600 sec	80-3600 sec, 90 sec	<input type="radio"/>	<input type="checkbox"/>
Multicast Address				
For Paging	IPv4: 224. 0. 0. 0-239. 255. 255. 255 IPv6: FF10::0-FF1F:FFFF:FFFF:FFFF:FFFF:FFFF:FFFF:FFFF	—	<input type="radio"/>	<input type="checkbox"/>

DESCRIPTION MASTER STATION	FIG. NAME SETTING	UNIT mm	DATE 17 December, 2014
MODEL NO. IX-MV	FIG. NO. 59790-6-12	PAGE 6/12	REVISION 1
			AIPHONE

A: administrator and U: user

Entry	Settings	Default values	Access Level		
			A	U	
Network Settings					
Video					
Video Encoder 1					
	RTP Start Port	1-65534	30000	<input type="radio"/>	
	RTP End Port	1-65535	31000	<input type="radio"/>	
Video Encoder 2					
	RTP Start Port	1-65534	32000	<input type="radio"/>	
	RTP End Port	1-65535	33000	<input type="radio"/>	
Audio					
	Audio CODEC	G. 711 (μ -law)/G. 711 (A-law)	G. 711 (μ -law)	<input type="radio"/>	
	Audio RTP Transmission Interval [msec]	20, 40, 60, 80, 100 msec	20 msec	<input type="radio"/>	
	RTP Idle Detection Time [sec]	10-180 sec (by 1 sec)	10 sec	<input type="radio"/>	
	Audio 1 RTP Start Port	1-65534	20000	<input type="radio"/>	
	Audio 1 RTP End Port	1-65535	21000	<input type="radio"/>	
	Audio 2 RTP Start Port	1-65534	22000	<input type="radio"/>	
	Audio 2 RTP End Port	1-65535	23000	<input type="radio"/>	
Audio Buffer					
	Packets Buffered at Audio Start	0-4	1	<input type="radio"/>	
	Maximum Packets Buffered	2-10	3	<input type="radio"/>	
Packet Priority					
	TOS Value (Audio)	0x00-0xFF	0x00	<input type="radio"/>	
	TOS Value (SIP)	0x00-0xFF	0x00	<input type="radio"/>	
	VLAN Setting	Disable/Enable	Disable	<input type="radio"/>	
	VLAN ID	1-4094	1	<input type="radio"/>	
	VLAN Priority	0 (Low)-7 (High)	0	<input type="radio"/>	
NTP					
Primary Server					
	Address	IPv4: 1.0.0.0-223.255.255.255 or Hostname (1-64 alphanumeric characters) IPv6: ::FF:0-FE:FF:FFFF:FFFF:FFFF:FFFF:FFFF:FFFF or Hostname (1-64 alphanumeric characters)	—	<input type="radio"/>	
	Port	1-65535	123	<input type="radio"/>	
Secondary Server					
	Address	IPv4: 1.0.0.0-223.255.255.255 or Hostname (1-64 alphanumeric characters) IPv6: ::FF:0-FE:FF:FFFF:FFFF:FFFF:FFFF:FFFF:FFFF or Hostname (1-64 alphanumeric characters)	—	<input type="radio"/>	
	Port	1-65535	123	<input type="radio"/>	
	Synchronization Interval [hour]	1-255 hours (by one hour)	24 hour	<input type="radio"/>	
System Information					
Location Registry (up to 50 locations)					
	Location Name	1-24 alphanumeric characters	—	<input type="radio"/>	
Address book					
Station List (up to 500 stations)					
	Number	3-5 digits	—	<input type="radio"/>	
	Name	1-24 alphanumeric characters	—	<input type="radio"/>	
	Location	Select one from the location registered	—	<input type="radio"/>	
	Type	Door Station/Master Station	—	<input type="radio"/>	
	IPv4	1.0.0.0-223.255.255.255	—	<input type="radio"/>	
	IPv6	2000::0-3FFF:FFFF:FFFF:FFFF:FFFF:FFFF:FFFF:FFFF FD00::0-FDFF:FFFF:FFFF:FFFF:FFFF:FFFF:FFFF:FFFF	—	<input type="radio"/>	

DESCRIPTION MASTER STATION	FIG. NAME SETTING	UNIT mm	DATE 17 December, 2014
MODEL NO. IX-MV	FIG. NO. 59790-7-12	PAGE 7/12	REVISION 1
			AIPHONE

A: administrator and U: user

Entry	Settings	Default values	Access Level	
			A	U
System Information				
Address book				
Network Camera List (up to 50 network cameras)				
Camera name	1-24 alphanumeric characters	—	<input type="radio"/>	<input type="checkbox"/>
ID	1-32 alphanumeric characters	—	<input type="radio"/>	<input type="checkbox"/>
Password	1-32 alphanumeric characters	—	<input type="radio"/>	<input type="checkbox"/>
IPv4	1.0.0.0-223.255.255.255	—	<input type="radio"/>	<input type="checkbox"/>
IPv6	::FF:0-FE:FF:FFFF:FFFF:FFFF:FFFF:FFFF:FFFF	—	<input type="radio"/>	<input type="checkbox"/>
Group (up to 50 groups (up to 50 stations per group))				
Group Number	01-99	—	<input type="radio"/>	<input type="checkbox"/>
Group Name	1-24 alphanumeric characters	—	<input type="radio"/>	<input type="checkbox"/>
Custom Sound Registry (up to 100 files (total length of approximately 200 seconds))				
Browse for .wav file	File format: .wav Audio sample size: 16 bits Audio sample rate: 8 kHz Number of channels: One (monaural)	—	<input type="radio"/>	<input type="radio"/>
Contact/Audio Output Settings				
Contact Input				
Contact Input Specifications				
Type	Make (N/O)/Break (N/C)	Make	<input type="radio"/>	<input type="checkbox"/>
Detection time [msec]	200-2000 msec (by 100 msec)	200 msec	<input type="radio"/>	<input type="checkbox"/>
Usage	Blank/Call	Blank	<input type="radio"/>	<input type="checkbox"/>
Output Specifications				
Relay Output Specifications				
Output Time [msec/sec]	0 (Momentary)/200-2000 msec (by 200 msec)/ 3-300 sec (by 1 sec)	200-2000 msec, 400 msec	<input type="radio"/>	<input type="checkbox"/>
Usage	Blank/Door Release	Blank	<input type="radio"/>	<input type="checkbox"/>
Call Settings				
Incoming call				
Call Answer Settings				
Auto Answer	ON/OFF	OFF	<input type="radio"/>	<input type="radio"/>
Ringtone Count [time (s)]	Infinite/1-20 times	Infinite	<input type="radio"/>	<input type="radio"/>
Ringtone Settings (Normal Call) (set up a different ringtone for each source)				
Ringtone	Call pattern 1/Call pattern 2/Call pattern 3/ Call pattern 4/Call pattern 5/Call pattern 6/ Tremolo sound/Busy tone/On-hold tone/Operation sound/ Error sound/Select from the sound source registered in "Custom Sound Registry"	Call pattern 1	<input type="radio"/>	<input type="radio"/>
All Page (Unicast can reach up to 50 stations.)				
Unicast	Select this to page the stations in unicast.	—	<input type="radio"/>	<input type="checkbox"/>
Function Settings				
Door Release Settings				
Door Release Authorization				
Authentication Key	1-4 digits	—	<input type="radio"/>	<input type="radio"/>
Door Release Output Assignment				
Contact Assignment	Originating Station/Destination Station	Destination Station	<input type="radio"/>	<input type="radio"/>
Authentication Key	1-4 digits	—	<input type="radio"/>	<input type="radio"/>
Door Release Output Settings (same as Contact/Audio Output Settings)				
Output Time [msec/sec]	0 (Momentary)/200-2000 msec (by 200 msec)/ 3-300 sec (by 1 sec)	200-2000 msec, 400 msec	<input type="radio"/>	<input type="checkbox"/>
Usage	Blank/Door Release	Blank	<input type="radio"/>	<input type="checkbox"/>

DESCRIPTION MASTER STATION	FIG. NAME SETTING	UNIT mm	DATE 17 December, 2014
MODEL NO. IX-MV	FIG. NO. 59790-8-12	PAGE 8/12	REVISION 1
			AIPHONE

A: administrator and U: user

Entry	Settings	Default values	Access Level		
			A	U	
Function Settings					
Contact Input Call					
Call Acknowledged Settings					
	Call Timeout [sec]	10-600 sec (by 1 sec)/Infinite	10-600 sec, 60 sec	<input type="radio"/>	<input type="radio"/>
Master Station Call Group Assignment					
	Group Number	01-99	—	<input type="radio"/>	<input type="radio"/>
	Priority	Normal/Priority/Urgent	Normal	<input type="radio"/>	<input type="radio"/>
Ringtone Settings (Option Input) (set up a different ringtone for each source)					
	Ringtone	Call pattern 1/Call pattern 2/Call pattern 3/ Call pattern 4/Call pattern 5/Call pattern 6/ Tremolo sound/Busy tone/On-hold tone/Operation sound/ Error sound /Select from the sound source registered in "Custom Sound Registry"	Call pattern 2	<input type="radio"/>	<input type="radio"/>
Paging Settings					
Paging Pretone Setting					
	Pretone	ON/OFF	ON	<input type="radio"/>	<input type="radio"/>
Paging Time Setting					
	Paging Timeout [sec]	10-600 sec (by 1 sec)	30 sec	<input type="radio"/>	<input type="radio"/>
Network Camera Integration					
Network Camera Profile (This becomes enabled when a network camera is registered in Network Camera List.)					
	Profile	—	—	<input type="radio"/>	<input type="radio"/>
Event Registry (up to 50 events)					
	Camera Name	Select the network camera for which an event is to be registered. This becomes enabled when a network camera is registered in Network Camera List.	—	<input type="radio"/>	<input type="radio"/>
	Event	—	—	<input type="radio"/>	<input type="radio"/>
	Network Camera Event Tone	Call pattern 1/Call pattern 2/Call pattern 3/ Call pattern 4/Call pattern 5/Call pattern 6/ Tremolo sound/Busy tone/On-hold tone/Operation sound/ Error sound /Select from the sound source registered in "Custom Sound Registry"	Call pattern 3	<input type="radio"/>	<input type="radio"/>
	Event Tone Count [time(s)]	Infinite/1-20 times	1 time	<input type="radio"/>	<input type="radio"/>
E-mail Settings					
Server Settings					
	SMTP Server	1-255 alphanumeric characters	—	<input type="radio"/>	<input type="radio"/>
	SMTP Port	1-65535	25	<input type="radio"/>	<input type="radio"/>
	SMTP Encryption	OFF/TLS/STARTTLS	OFF	<input type="radio"/>	<input type="radio"/>
Authentication Settings					
	SMTP Authentication	OFF/ON	OFF	<input type="radio"/>	<input type="radio"/>
	Mode	LOGIN/CRAM-MD5	LOGIN	<input type="radio"/>	<input type="radio"/>
	ID	1-64 alphanumeric characters	—	<input type="radio"/>	<input type="radio"/>
	Password	1-64 alphanumeric characters	—	<input type="radio"/>	<input type="radio"/>
E-mail Addresses					
	Destination 1	1-64 alphanumeric characters	—	<input type="radio"/>	<input type="radio"/>
	Destination 2	1-64 alphanumeric characters	—	<input type="radio"/>	<input type="radio"/>
	Destination 3	1-64 alphanumeric characters	—	<input type="radio"/>	<input type="radio"/>
	Source Address	1-64 alphanumeric characters	—	<input type="radio"/>	<input type="radio"/>

DESCRIPTION MASTER STATION	FIG. NAME SETTING	UNIT mm	DATE 17 December, 2014
MODEL NO. IX-MV	FIG. NO. 59790-9-12	PAGE 9/12	REVISION 1
			AIPHONE

A: administrator and U: user

Entry	Settings	Default values	Access Level		
			A	U	
Function Settings					
E-mail Settings					
E-mail Event Trigger (Set which event triggers will send an e-mail message for each address.)					
	Normal call	Enable/Disable	Disable	<input type="radio"/>	<input type="radio"/>
	Priority call	Enable/Disable	Disable	<input type="radio"/>	<input type="radio"/>
	Urgent call	Enable/Disable	Disable	<input type="radio"/>	<input type="radio"/>
	Door Release Activated	Enable/Disable	Disable	<input type="radio"/>	<input type="radio"/>
	Call Failed	Enable/Disable	Disable	<input type="radio"/>	<input type="radio"/>
	Error Occurred	Enable/Disable	Disable	<input type="radio"/>	<input type="radio"/>
	Station Restart	Enable/Disable	Disable	<input type="radio"/>	<input type="radio"/>
	Periodic Log Transmission	Enable/Disable	Disable	<input type="radio"/>	<input type="radio"/>
	Periodic Log Transmit Time	From 00:00 to 23:59	00:00	<input type="radio"/>	<input type="radio"/>
	Periodic Log Transmit Interval	Every 1-7 days	1 day	<input type="radio"/>	<input type="radio"/>
E-mail Event Trigger (Subject Text)					
	Normal call	1-64 alphanumeric characters	—	<input type="radio"/>	<input type="radio"/>
	Priority call	1-64 alphanumeric characters	—	<input type="radio"/>	<input type="radio"/>
	Urgent call	1-64 alphanumeric characters	—	<input type="radio"/>	<input type="radio"/>
	Door Release Activated	1-64 alphanumeric characters	—	<input type="radio"/>	<input type="radio"/>
	Call Failed	1-64 alphanumeric characters	—	<input type="radio"/>	<input type="radio"/>
	Error Occurred	1-64 alphanumeric characters	—	<input type="radio"/>	<input type="radio"/>
	Station Restart	1-64 alphanumeric characters	—	<input type="radio"/>	<input type="radio"/>
	Periodic Log Interval	1-64 alphanumeric characters	—	<input type="radio"/>	<input type="radio"/>
CGI Integration					
	CGI Functionality	Enable/Disable	Disable	<input type="radio"/>	<input type="radio"/>
SIF					
	SIF Functionality	Enable/Disable	Disable	<input type="radio"/>	<input type="radio"/>
	SIF Communication Settings (sif.ini)	—	—	<input type="radio"/>	<input type="radio"/>
	SIF Parameter Settings (sif_conf.ini)	—	—	<input type="radio"/>	<input type="radio"/>
Transfer Setting					
Absent Transfer Settings					
	Absent Transfer	Disable/Enable	Disable	<input type="radio"/>	<input type="radio"/>
	Transfer to Station Number	3-5 digits	—	<input type="radio"/>	<input type="radio"/>
Delay Transfer Settings					
	Delay Transfer	Disable/Enable	Disable	<input type="radio"/>	<input type="radio"/>
	Delay Time [sec]	1-300 sec (by 1 sec)	30 sec	<input type="radio"/>	<input type="radio"/>
	Transfer to Station Number	3-5 digits	—	<input type="radio"/>	<input type="radio"/>
Transfer Schedule Settings					
	Transfer Schedule	Disable/Enable	Disable	<input type="radio"/>	<input type="radio"/>
	Transfer to Station Number	3-5 digits	—	<input type="radio"/>	<input type="radio"/>
Weekly Schedule					
	From Sunday through Saturday	Each day of the week 00:00-23:59	—	<input type="radio"/>	<input type="radio"/>

DESCRIPTION MASTER STATION	FIG. NAME SETTING	UNIT mm	DATE 17 December, 2014
MODEL NO. IX-MV	FIG. NO. 59790-10-12	PAGE 10/12	REVISION 1
			AIPHONE

A: administrator and U: user

Entry	Settings	Default values	Access Level		
			A	U	
Station Hardware Settings					
Speed Dial Button Settings					
Destination Assignment (up to 6 destinations)					
	Mode Selection	Blank/Group Call/Individual Call/Group Page/All Page	Blank	<input type="radio"/>	<input type="radio"/>
	Group Number	01-99	—	<input type="radio"/>	<input type="radio"/>
	Station Number	3-5 digits	—	<input type="radio"/>	<input type="radio"/>
	Priority	Normal/Priority/Urgent	—	<input type="radio"/>	<input type="radio"/>
Privacy Setting					
	Privacy	Enable/Disable	Disable	<input type="radio"/>	<input type="radio"/>
Volume Settings					
Volume Settings					
	Handset Transmit Volume	1-10	10	<input type="radio"/>	<input type="radio"/>
	Handset Receive Volume	1-10	6	<input type="radio"/>	<input type="radio"/>
	Hands-free Transmit Volume	1-10	10	<input type="radio"/>	<input type="radio"/>
	Hands-free Receive Volume	1-10	6	<input type="radio"/>	<input type="radio"/>
	Ringtone volume	0: Mute, 1-10	6	<input type="radio"/>	<input type="radio"/>
	Button Feedback Tone	Enable/Disable	Disable	<input type="radio"/>	<input type="radio"/>
Communication Settings					
	Talk Timeout [sec]	30-600 sec (by 1 sec)	60 sec	<input type="radio"/>	<input type="radio"/>
	Force Push-to-talk	Enable/Disable	Disable	<input type="radio"/>	<input type="radio"/>
Monitor Setting					
	Monitor Timeout [sec]	10-600 sec (by 1 sec)	60 sec	<input type="radio"/>	<input type="radio"/>
Master Station Display Settings					
	Brightness	1-10	6	<input type="radio"/>	<input type="radio"/>
	Time Format	mm/dd/yyyy (12h) mm/dd/yyyy (24h) dd/mm/yyyy (12h) dd/mm/yyyy (24h) yyyy/mm/dd (12h) yyyy/mm/dd (24h)	mm/dd/yyyy (12h)	<input type="radio"/>	<input type="radio"/>
	Standby LED State	ON/OFF	ON	<input type="radio"/>	<input type="radio"/>
Maintenance					
	Firmware Update	—	—	<input type="radio"/>	<input type="radio"/>
	Initialization	All settings go back to the default values, and the system log and incoming/outgoing call history are erased.	—	<input type="radio"/>	<input type="radio"/>
	Settings File Management	—	—	<input type="radio"/>	<input type="radio"/>
	System Log	—	—	<input type="radio"/>	<input type="radio"/>

DESCRIPTION MASTER STATION	FIG. NAME SETTING	UNIT mm	DATE 17 December, 2014
MODEL NO. IX-MV	FIG. NO. 59790-11-12	PAGE 11/12	REVISION 1
			AIPHONE

■ IX Support Tool

Install the application on a PC from the DVD-ROM that comes with the Master Station .

● System requirements

Operating System	Windows XP Professional Edition SP3 Windows 7 Professional, Windows 7 Enterprise, Windows 7 Ultimate Windows 8, Windows 8 pro, Windows 8 Enterprise
CPU	32 bit (x86) processor or 64 bit (x64) processor of 1 GHz or higher
Memory	1 GB RAM (32 bit) or 2 GB RAM (64 bit)

● FUNCTIONS

- Settings (Table View): All stations in the system can be configured from the Settings window.
- Settings (Station View): Configure each station in the system individually.
- Setting File Download: Store the Settings File
- Setting File Upload: Upload the Settings File
- Station Search: Search the stations in IX System connected in the network to show the list.
- Station Replacement: Use this feature to replace a station.
- Restore System Settings: If the setting file is lost, the setting file can be restored.
- Line Supervision: Monitor the stations in the system for any failure.
- Line Supervision Log: Check the Line Supervision Log for any device error or a communication error.
- Update Firmware: Update the firmware for the station.

● RESTRICTIONS

- If the station was configured or modified using the web interface, the setting file cannot be downloaded using the IX Support Tool.

DESCRIPTION MASTER STATION	FIG. NAME IX Support Tool	UNIT mm	DATE 17 December, 2014
MODEL NO. IX-MV	FIG. NO. 59790-12-12	PAGE 12/12	REVISION 1
			AIPHONE