

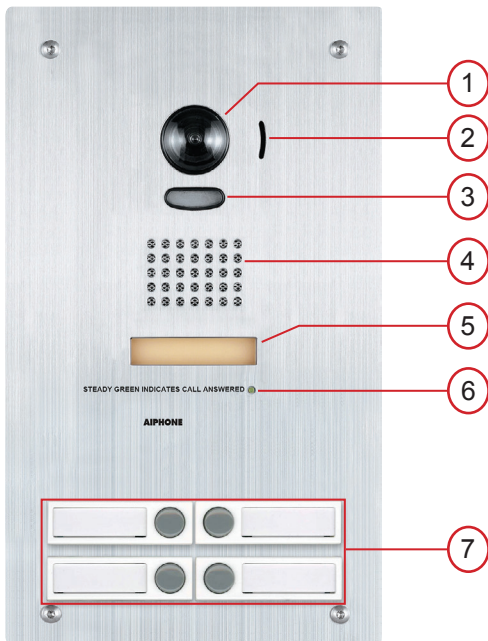
IS-IP4DVF

IP Video Door Station with 4 Call Buttons

-INSTRUCTIONS-

The IS-IP4DVF is an IS Series IP video door station with 4 call buttons for selective calling. The IS-IPRY8 adaptor is required for assigning the call buttons to specific master stations within the IS-IP configuration (refer to the IS-IPRY8 programming manual for programming instructions). The IS-IP4DVF will connect to a network switch, and the call buttons will connect to the IS-IPRY8 adaptor inputs.

IS-IP4DVF



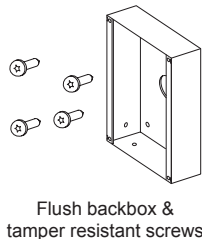
NAMES & FUNCTIONS:

- | | |
|--------------------|--|
| 1. Camera | 5. Directory card |
| 2. Microphone | 6. Call status indicator |
| 3. LED illuminator | 7. Call buttons with integrated name placard |
| 4. Speaker | |

FEATURES:

- IP video door station
- 4 call buttons for selective calling to master stations (IS-IPRY8 adaptor required)
- LED call status indicator
- 5 name placards
- Stainless steel faceplate with tamper resistant screws

PACKAGE CONTENTS:



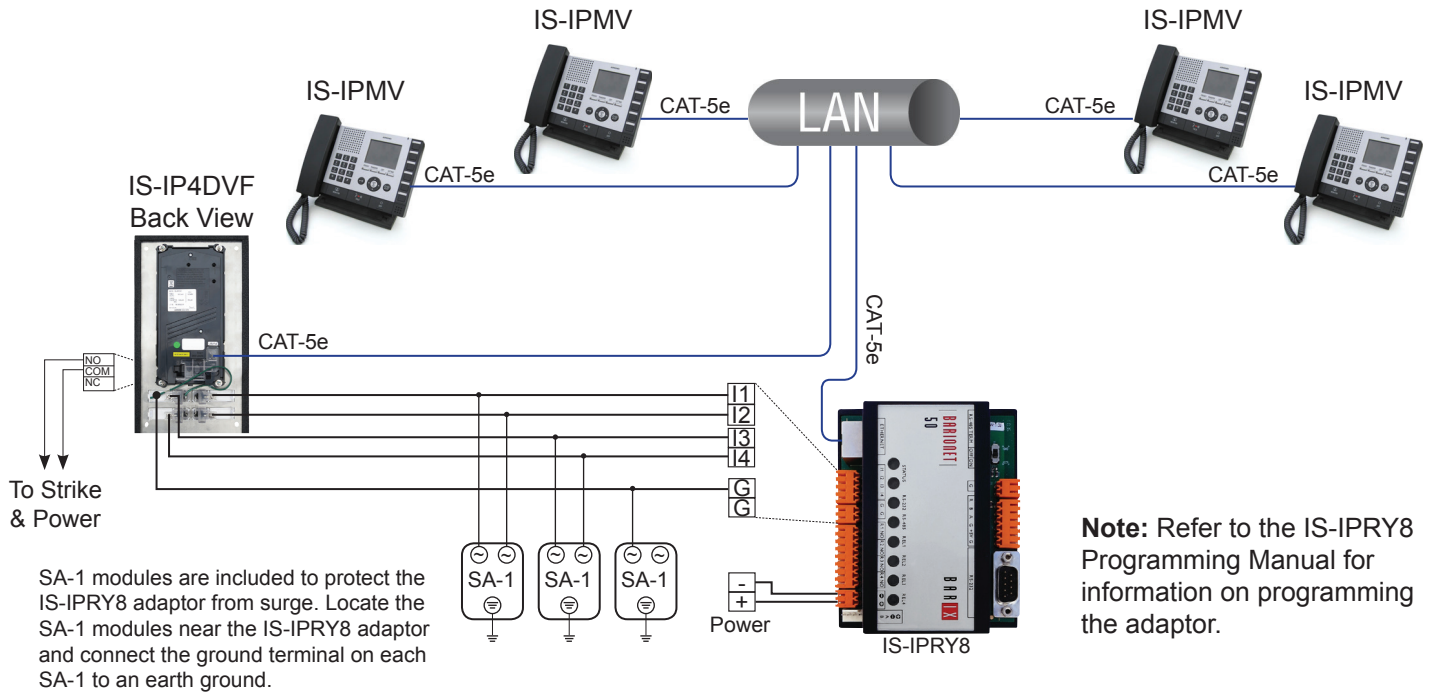
INSTALLATION:

- For flush mounting, cut a hole in the wall and use the supplied back box. Box dimensions are: 11-3/4" H x 5-13/16" W x 1-3/4" D
- For surface mounting, use the SBX-ISDVFP surface mount box. This box can mount to a standard 1 gang box or to any flat surface.

Note:

When installing the IS-IP4DVF in the supplied back box, the call button assembly may come loose. Push call button assembly back in to position as necessary.

WIRING DIAGRAM:



PROGRAMMING:

The IS-IP4DVF door station must be set as a host or client device like any other IS-IP door station or master station. The unit must be registered to the IS-IP system before it can be programmed to call a master station using the call buttons and IS-IPRY8 adaptor. Refer to Steps 5-7 in the IS Series IP Direct System Programming Guide for information on setting client and host devices and registering IP stations.

SPECIFICATIONS:

Camera unit:	CMOS camera
Scanning line:	525 lines
Min. illumination:	5 Lux at 1'6"
Terminations:	RJ45 jack for audio/video Screw terminals for door release and call buttons
Operating Temp:	14° ~ 140°F / -10° ~ 60°C
Wiring Distance:	328' with CAT-5e/6 cable to switch
Dimensions:	12-3/8" H x 7" W
w/SBX-ISDVFP:	12-7/16" H x 7-1/16" W x 2-13/16" D (top), 1-13/16" D (bottom)

FCC WARNING:

This device complies with Part 15 of the FCC rules.

Operation is subject to the following two conditions:

- (1) This device may not cause harmful interference.
- (2) This device must accept any interference that may cause undesired operation.
 - For proper regulatory compliance, the drain wire should be disconnected at the power supply end of the cable.
 - Changes or modifications not expressly approved by the party responsible for compliance could void the user's authority to operate the equipment.