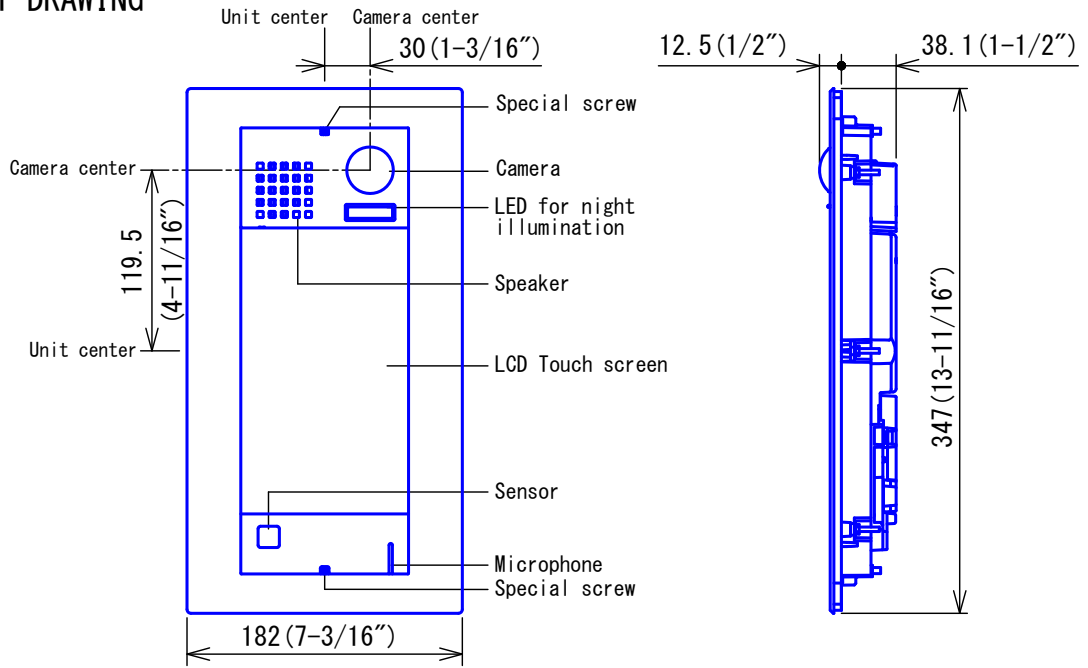
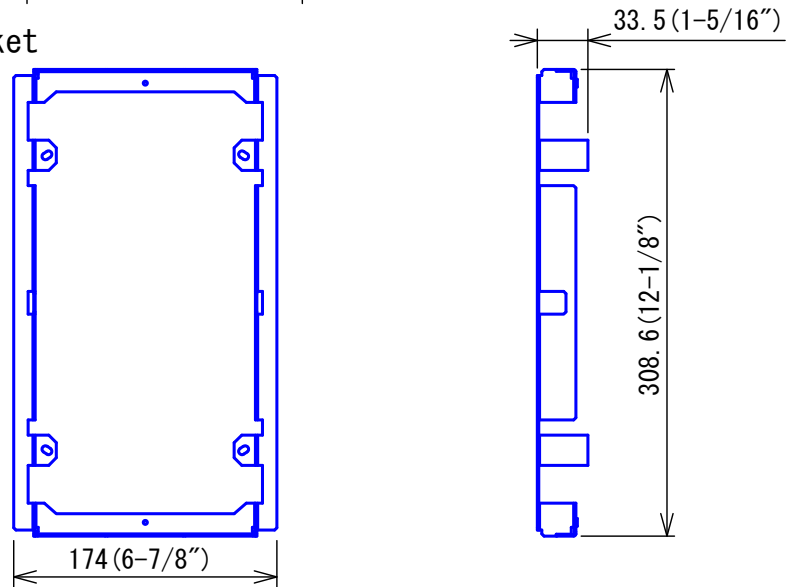


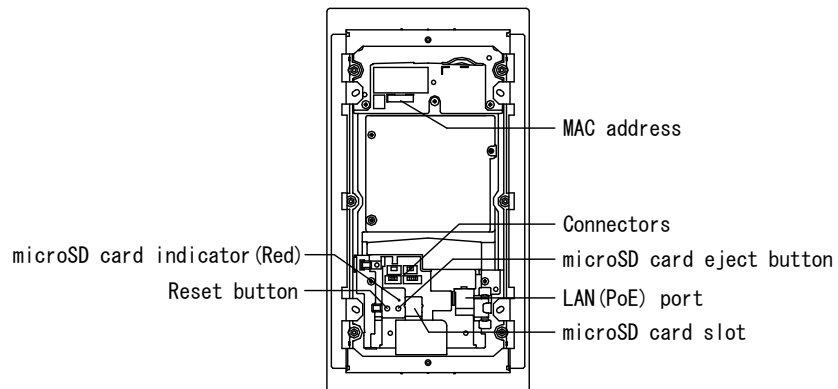
■ PRODUCT DRAWING



● Mounting bracket



<Back view>
Under the Terminal cover

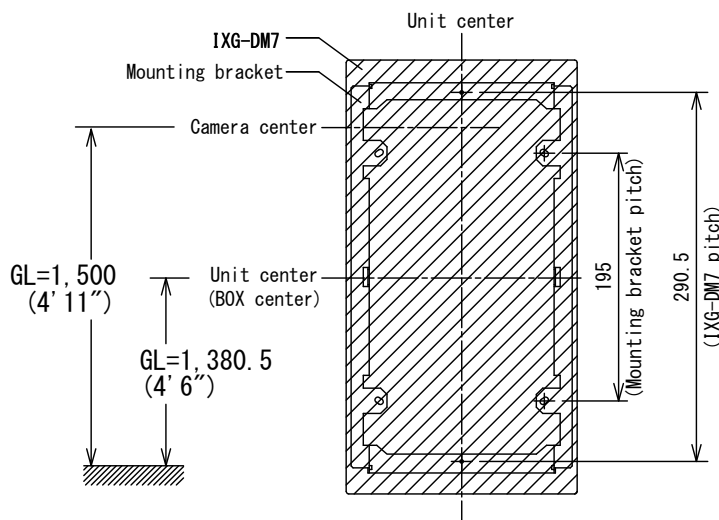


DESCRIPTION VIDEO ENTRANCE STATION	FIG. NAME PRODUCT DRAWING	UNIT mm	DATE 5 September, 2019
MODEL NO. IXG-DM7	FIG. NO. IXG-DM7-1-5	PAGE 1/5	REVISION 1
			AIPHONE

CAUTION: This is a preliminary specification sheet. All information subject to change without notice.

● MOUNTING

- Use the electrical box: IXG-DM7-BOX



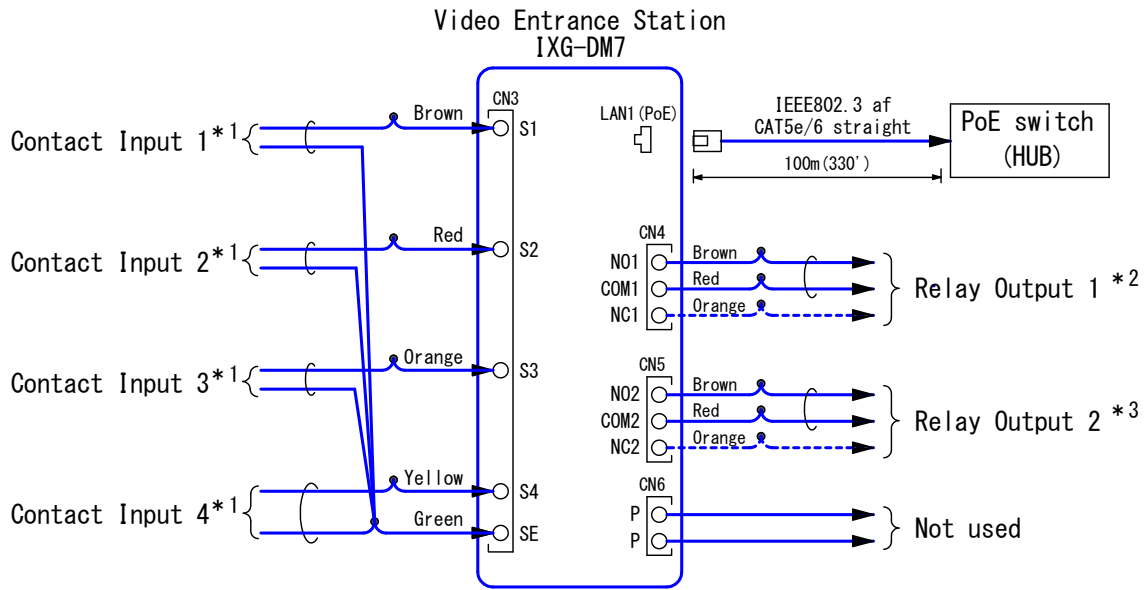
■ SPECIFICATIONS

Power source	Power-over-Ethernet(IEEE 802.3af Class 0)
Current consumption	<i>Standby 5.3W, Max. 12.0W (48 VDC)</i>
Type of communication	<i>Full-duplex</i>
Monitor	7 inch TFT LCD display
Monitor resolution	WVGA 800 x 480 (Approx. 1.15 million pixels)
Camera	1/3 inch Color CMOS, HD1280 x 720 (Approx. 900,000 pixels)
Minimum illumination	5 lux
LAN	Ethernet(10BASE-T, 100BASE-TX), Auto MDI/MDI-X-compatible
Audio codec	G.711(μ -law, A-law)
Video codec	H.264 MP
Protocol	<i>IPV4/v6, TCP, UDP, SIP RFC3261, HTTP/HTTPS, RTSP, RTP/RTCP, IGMP, MLD, SMTP, FTP, DHCP, NTP, DNS, TLS</i>
Encryption method	TLS1.0, TLS1.1, TLS1.2
Packet delivery	Unicast, Multicast
Number of stations (in address book)	Max. 9,998 rooms (IX/IXG stations: Max. 9,998 stations + mobile applications: Max. 9,999)
Number of buildings	Max. 99 buildings
Ambient temperature	-10 - +60°C(+14 - +140° F)
Mounting	Flush wall-mount
Electrical box	IXG-DM7-BOX
Material	Front panel : Stainless steel, vertical alignment finished Main unit - Case: Self-extinguishing ABS resin LCD display : Glass Chassis : Die-cast aluminum
Unit color	Front panel : Silver Main unit : Black
Weight	Approx. 2.2kg (4.9 lbs)
IP rating	IP65
IK rating	IK08

DESCRIPTION	FIG. NAME	UNIT	DATE
VIDEO ENTRANCE STATION	PRODUCT DRAWING/ SPEC.	mm	5 September, 2019
MODEL NO.	FIG. NO.	PAGE	REVISION
IXG-DM7	IXG-DM7-2-5	2/5	1

AIPHONE

■ WIRING DIAGRAM



*1. Contact Input Specifications

Input method	Programmable dry contact (N/O or N/C) Level detection method
Detection time	200 msec or more
Contact resistance	Make: 700Ω or less Break: 3kΩ or more
Terminal short-circuit current	10 mA or less
Voltage between terminals	5.5 VDC or less (between open terminals)

*2. Relay Output 1 Specifications

Output method	Form C dry contact (N/O or N/C)
Contact rating	24 VAC, 3A (resistive load) 24 VDC, 3A (resistive load) Minimum overload (AC/DC): 100mV, 100mA

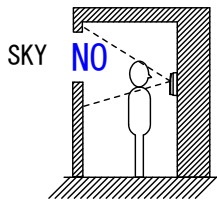
*3. Relay Output 2 Specifications

Output method	Form C dry contact (N/O or N/C)
Contact rating	24 VAC, 0.5A (resistive load) 24 VDC, 0.5A (resistive load) Minimum overload (AC/DC): 100mV, 0.1mA

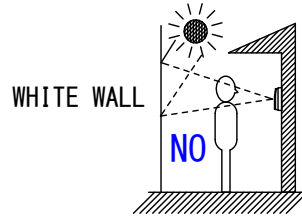
DESCRIPTION VIDEO ENTRANCE STATION	FIG. NAME WIRING DIAGRAM	UNIT mm	DATE 5 September, 2019
MODEL NO. IXG-DM7	FIG. NO. IXG-DM7-3-5	PAGE 3/5	REVISION 1
			AIPHONE

■ RESTRICTIONS

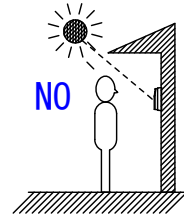
- A PoE-compatible switch must be used as the switch (hub) for station connection.
- A computer is required to make system settings.
IXG system can be configured in "IXG Support Tool" application.
- When installing the station on a rough surface, please use seal the station edges to prevent water entering the station.
If the station edges are left unsealed on a rough surface, IP65 ingress protection rating is not guaranteed.
- Avoid to install This station in the following locations;



At the entrance where background is sky in upper floors of Condominiums, etc.



The background of the standing caller's is white wall.



Where the standing location is strongly sunlit.

- While updating the System settings, stations unavailable.
- A human body detection sensor detects temperature changes within the detection range, but it may not detect or the sensitivity may change depending on the ambient temperature and environment.
- If the LCD display comes into contact with rain, it may not respond when touched or cause false reactions to occur. Please install the unit in an area where it doesn't come in contact with rain.
- The LCD display may not function when operated while wearing gloves.
- In order to audio or video record, the following microSD memory card (market goods) compliant with SD standard is necessary.

Standard	Supported storage capacity	Format	Speed Classes
microSDHC memory card	4GB to 32GB	FAT32	SD speed class 10

■ RESTRICTIONS ABOUT THE NETWORK

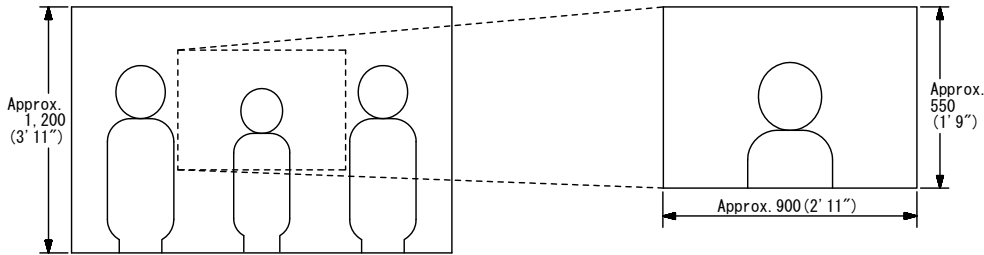
- When connecting via the Internet (global IP networks), VPN Service is necessary.
- We do not recommend using a wireless communication such as wireless LAN as it may not operate correctly due to security issues or communication speed delays.
- For IPv4 Address with DHCP, due to the architecture of the IXG system, DHCP configuration is only recommended for network environments utilizing managed (static) IP address leasing.
- For stateless IPv6 Address, do not change the prefix of the device so that it cannot transmit Router Advertisement (RA).
- For IPv6 Address with DHCP, due to the architecture of the IXG system, DHCP configuration is only recommended for network environments utilizing managed (static) IP address leasing.
The DUID of the device: 00030001 + MAC address
- Depending on the network environment and computer, prior arrangements and setup operations involving the network administrator might be necessary.
- Depending on the network environment, operation delay might occur.
- Depending on the network environment or other factors, audio or video dropout, delays, lower frame rates, or other loss of correct operation might occur.
- The protocols used by this system must be supported.
- The network bandwidth required by each device when communicating are as follows.
G. 711 : 64kbps x 2(in communication), 64kbps x stations(on page)
H. 264 : 32kbps - up to 2048kbps
- IPv4 and IPv6 cannot be mixed in the same system.
- When using multicasting for video, or audio, use in an environment that does not reject IGMPv3 or MLDv2.

DESCRIPTION	FIG. NAME	UNIT	DATE
VIDEO ENTRANCE STATION	RESTRICTIONS	mm	5 September, 2019
MODEL NO.	FIG. NO.	PAGE	REVISION
IXG-DM7	IXG-DM7-4-5	4/5	1

AIPHONE

■ IMAGE VIEW AREA & MOUNTING HEIGHT

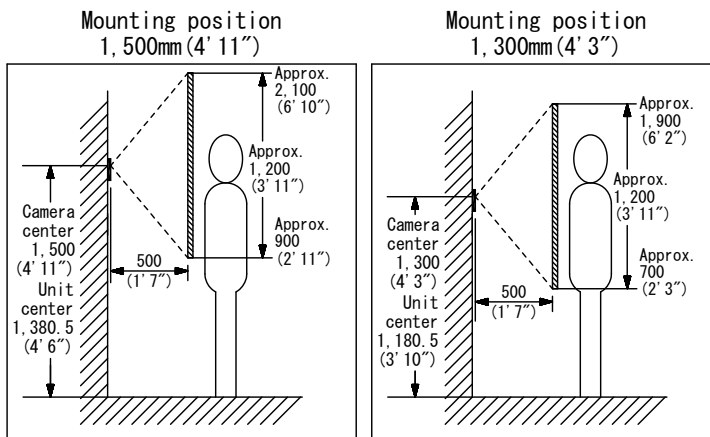
● WIDE



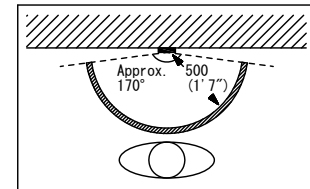
- Objects appear smaller due to greater distortion in the surrounding sections compared to the central section, but a wider area is displayed.
- Image view area depends on the camera zoom position.

● WIDE

Vertical



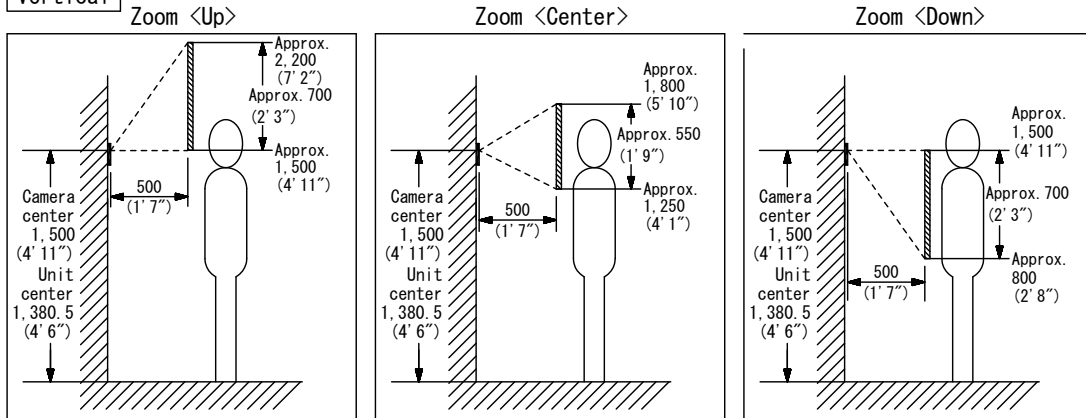
Horizontal



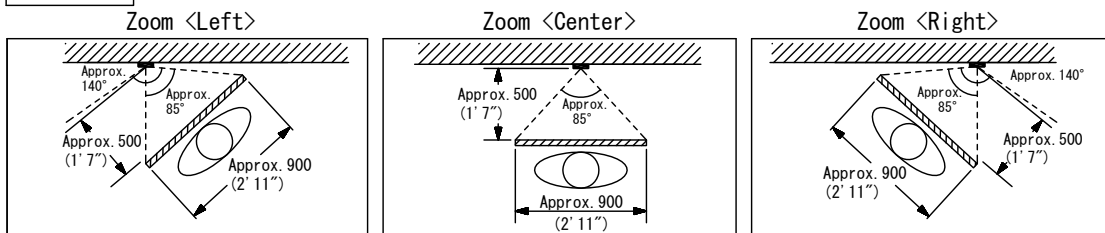
- ◆ An area over a range of approx. 170° in a 500mm (1' 7") radius from the camera is displayed. (The display range is a rough estimation and may change due to the installation environment.)

● ZOOM (Mounting position 1,500mm (4' 11"))

Vertical



Horizontal



DESCRIPTION VIDEO ENTRANCE STATION	FIG. NAME IMAGE VIEW AREA & MOUNTING HEIGHT	UNIT mm	DATE 5 September, 2019
MODEL NO. IXG-DM7	FIG. NO. IXG-DM7-5-5	PAGE 5/5	REVISION 1
			AIPHONE